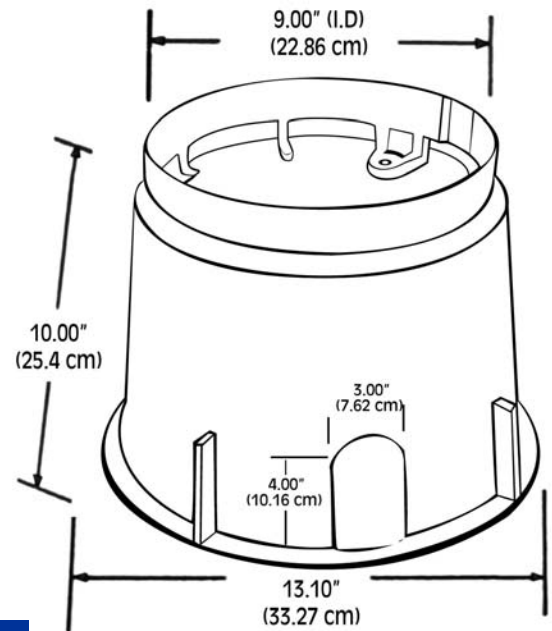
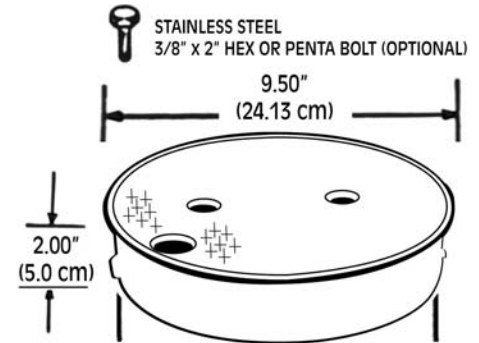
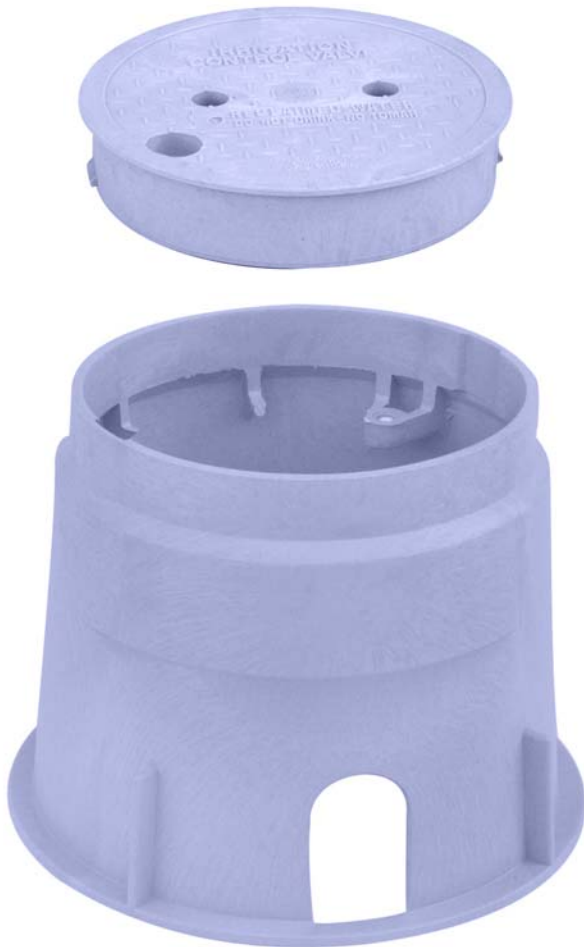


SERIES 910L (10" ROUND) LAVENDER

■ 90 PER PALLET

■ BODY & COVER	910L-1L2L	3.84 LBS.	1.74 KG
■ BODY	910L-1L	2.59 LBS.	1.17 KG
■ COVER	910L-2L	1.25 LBS.	.57 KG



SPECIAL FEATURES

- TWIST LOCK COVER
- STRONGER LOAD STRENGTH
- UV INHIBITORS TO PREVENT DISCOLORATION & CRACKING
- MOLDED IN NYLON NUT FOR BOLT
- HEAVY DUTY CONSTRUCTION

**STANDARD MARKINGS AVAILABLE
(RECLAIMED WATER • IRRIGATION CONTROL VALVE)**