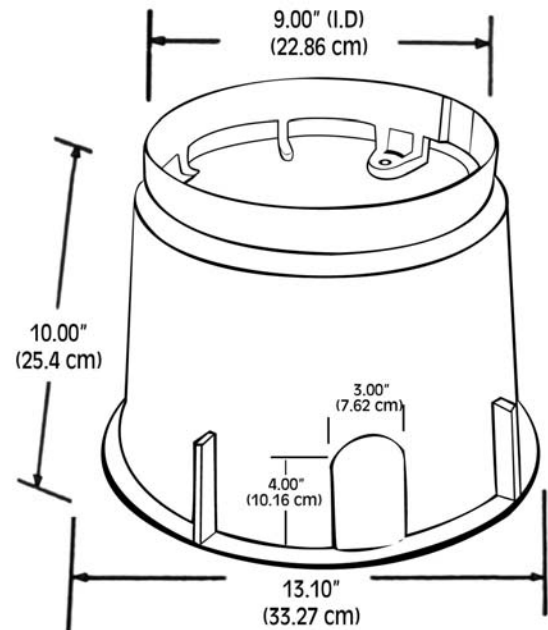
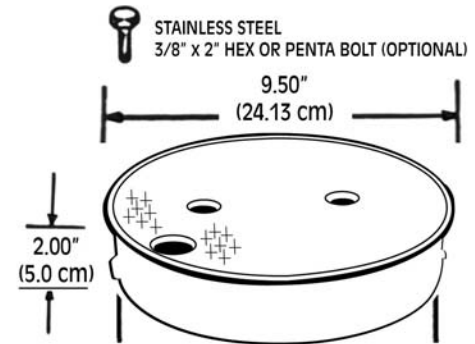


**SERIES 910L (10" ROUND) BLACK**

■ 90 PER PALLET			
■ BODY & COVER	910L-1B2B	3.84 LBS.	1.74 KG
■ BODY	910L-1B	2.59 LBS.	1.17 KG
■ COVER	910L-2B	1.25 LBS.	.57 KG



**SPECIAL FEATURES**

- TWIST LOCK COVER
- STRONGER LOAD STRENGTH
- UV INHIBITORS TO PREVENT DISCOLORATION & CRACKING
- MOLDED IN NYLON NUT FOR BOLT
- HEAVY DUTY CONSTRUCTION

**STANDARD MARKINGS AVAILABLE  
(IRRIGATION CONTROL VALVE (ICV) • ELECTRIC)**