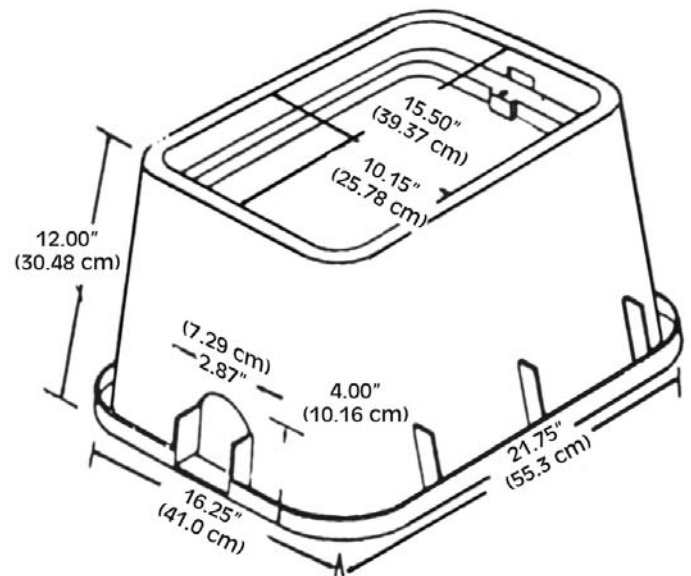
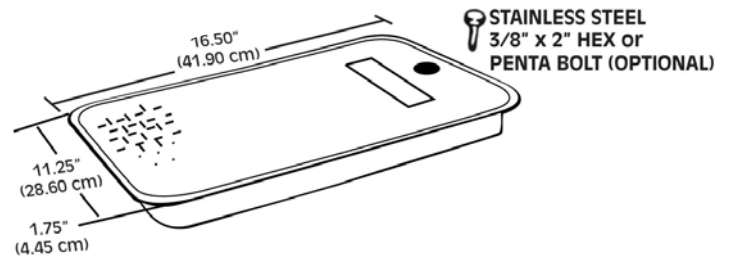


SERIES 1015 (12" HIGH) HEAVY DUTY VALVE BOX LAVENDER

■ 60 PER PALLET				
■ BODY WITH "T" COVER	1015T-1L2L	9.97 LBS.	4.52 KG	
■ "T" COVER	1015T-2L	2.24 LBS.	1.02 KG	
■ BODY	1015-1L	7.73 LBS.	3.50 KG	



**SPECIAL
FEATURES**

- HEAVY DUTY CONSTRUCTION
- MOLDED IN NYLON NUT FOR BOLT
- SINGLE OR NO PORT
- UV INHIBITOR TO PREVENT DISCOLORING & CRACKING
- NESTABLE FOR STORAGE OR SHIPPING

STANDARD MARKINGS AVAILABLE (RECLAIMED WATER • ICV)