

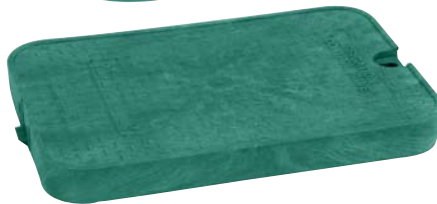
SERIES 1015 (12" HIGH) HEAVY DUTY VALVE BOX GREEN

60 PER PALLET

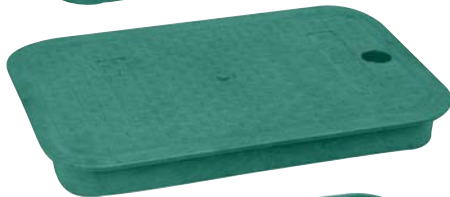
■ BODY WITH STD. DROP-IN COVER	1015-1G2G	10.00 LBS.	4.53 KG
■ BODY WITH "T" COVER	1015T-1G2G	9.97 LBS.	4.52 KG
■ BODY W/METER READER COVER	1015-1G3G	10.13 LBS.	4.49 KG
■ BODY W/CAPTIVE HINGED COVER	1015-1G4G	10.50 LBS.	4.76 KG
■ BODY	1015-1G	7.73 LBS.	3.50 KG
■ 1. STD. DROP-IN COVER	1015-2G	2.27 LBS.	1.03 KG
■ 2. "T" COVER	1015T-2G	2.24 LBS.	1.02 KG
■ 3. COVER WITH METER DOOR	1015-3G	2.18 LBS.	.99 KG
■ 4. CAPTIVE HINGED COVER	1015-4G	2.77 LBS.	1.26 KG



1015-1G
BODY



1.
1015-2G
STD DROP-IN
COVER



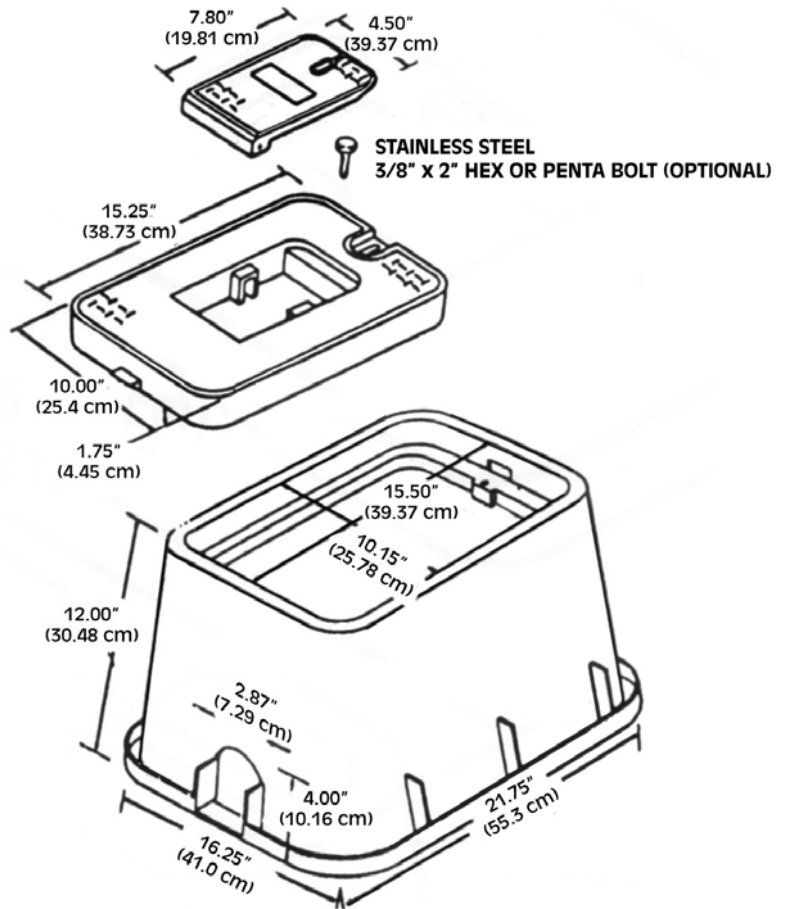
2.
1015T-2G



3.
1015-3G
COVER
WITH
METER
DOOR



4.
1015-4G



SPECIAL FEATURES

- HEAVY DUTY CONSTRUCTION
- MOLDED IN NYLON NUT FOR BOLT
- UV INHIBITOR TO PREVENT DISCOLORING & CRACKING
- NESTABLE FOR STORAGE OR SHIPPING

OTHER STOCK COLORS AVAILABLE

TO SEE COLOR
CLICK ON COLOR

- BLACK
- GRAY
- LAVENDER
- TAN

STANDARD MARKINGS AVAILABLE (IRRIGATION CONTROL VALVE • WATER (SOLID OR METER DOOR) • SEWER • ELECTRIC • RECLAIMED WATER • CATV • TELEPHONE • BLANK)