



Replacement Parts List 2015-2016

Effective March 2015

RESIDENTIAL & COMMERCIAL IRRIGATION
Built on Innovation®

TABLE OF CONTENTS

Rotors

PGJ-00: Gear-Driven Sprinkler	1
PGJ-04, 06, 12: Gear-Driven Sprinklers	2
SRM-04, PGM-04, 06, 12: Gear-Driven Sprinklers	3
PGP®: Gear-Driven Sprinkler	4
PGP-ATR: Gear-Driven Sprinkler	5
PGP-00: Gear-Driven Sprinkler	6
PGP-04 Ultra, PGP-12 CV Ultra: Gear-Driven Sprinklers	7
I-20-00: Gear-Driven Sprinklers	8
I-20-04, I-20-06, 1-20-12: Gear-Driven Sprinklers	9
I-25-04, 06: Gear-Driven Sprinklers	10
I-40-04, 06: Gear-Driven Sprinklers	11
I-60: Gear-Driven Sprinklers	12
I-90: Gear-Driven Sprinkler	13
ST-90: Gear-Driven Sprinkler	14
STG-900: Gear-Driven Sprinkler	15
ST-1600B: Pop-Up	16
ST-1600 Gear-Drive: B and BR Models	17
ST-1600 Gear-Drive: B and BR Models	18

Sprays

PSU-02, 04, 06: PS Ultra Spray Sprinklers	19
PROS-02, 03, 04, 06, 12: Pro-Spray® Sprinklers	20
PRS30-04, 06, 12: Pro-Spray® Pressure Regulated Spray Bodies	21
PRS40-04CV, 06CV, 12CV: Pro-Spray® Pressure Regulated Spray Bodies	22

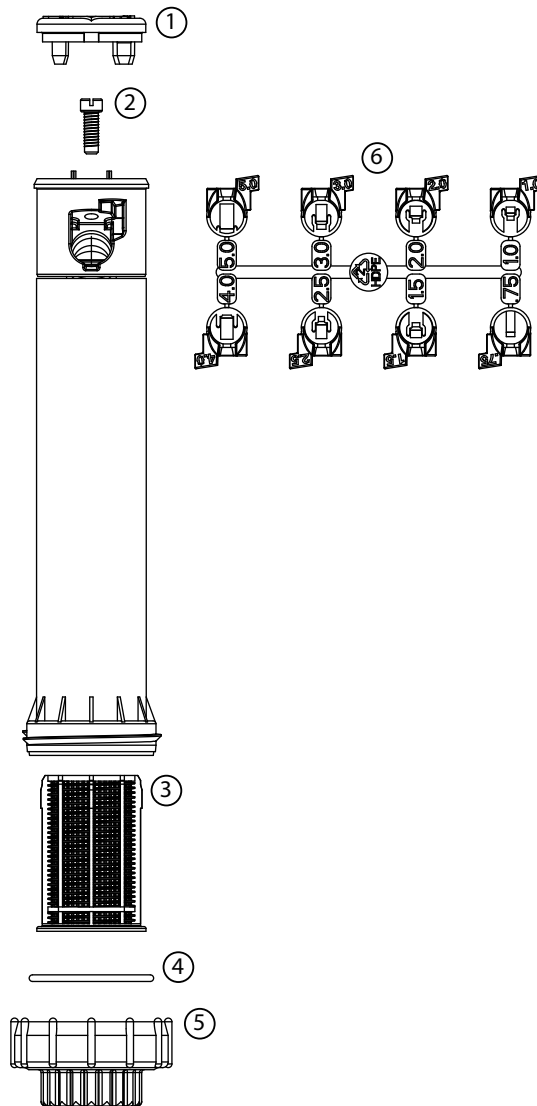
Valves

SRV: Plastic Valve	23
PGV-ASV: Plastic Valve (6-Bolt Bonnet Design)	24
PRO-ASV: Plastic Valve	25
PGV-100G/101G: Plastic Valves	26
PGV Jar-Top: Plastic Valve	27
PGV-100A/101A: Plastic Valves	28
PGV-151G, 201G: Plastic Valves	29
HPV: Plastic Valve	30
ICV-101G, 151G, 201G: Plastic Valves	31
ICV-301: Plastic Valve	32
IBV-101G, 151G, 201G: Brass Valves	33
IBV-301G: Brass Valves	34
HBV: Brass Valve	35
HBV: Brass Valve	36
HQ3RC: Quick Coupler Valve	37
HQ33RC, HQ33LRC, HQ33LRCR: Quick Coupler Valve	38
HQ44RC, HQ44LRC, HQ44LRCR: Quick Coupler Valve	39
HQ44RCAW, HQ44LRCAW, HQ44LRCAWR: Quick Coupler Valve	40

HQ5RC, HQ5LRC, HQ5LRCR: Quick Coupler Valve	41
ICZ-101: Drip Control Zone Kit..	42
ICZ-151: Drip Zone Kit	43
PCZ-101: Drip Zone Control Kit	44
ACZ-075: Drip Control Zone Kit..	47
Controllers	
XC Controller: Residential Controller	48
XC Hybrid Controller: Residential Controller (Battery Operated)..	49
XC Hybrid Controller: Residential Controller (Stainless Steel)..	50
Pro-C®: Indoor and Outdoor Controller..	51
PCC: Indoor and Outdoor Controllers	52
ICC: Institutional/Commercial Controller (ICC-800PL & ICC-801PL) – Plastic Cabinet.	53
ICC: Institutional/Commercial Controller (ICC-800M & ICC-800SS) – Metal Cabinet..	54
ICC Plastic Pedestal	55
I-Core®: Institutional/Commercial Controller (IC-600PL & IC601PL) – Plastic Cabinet	56
I-Core: Institutional/Commercial Controller (IC-800M & IC-800SS) – Metal Cabinet..	57
I-Core Plastic Pedestal	58
IMMS®-CCC: Irrigation Management and Monitoring	59
IMMS-SI: Irrigation Management and Monitoring System	60
IMMS-CI: Irrigation Management and Monitoring System	61
ACC Wall Mount Controllers (ACC1200, ACC99D)	62
ACC Pedestal Controllers (ACC1200PP, AGC1200PP, AGC99DPP)..	63
ICD-HP Components	64
Steel Controller Enclosure Parts (IDSSP, IDSSW)	65
Plastic Pedestal Kits IDS-PP	66
Plastic Wall Enclosure Kits IDS-PW	67
IDS Decoder Controller Components	68
ET Systems..	69
ICR: Remote Control Unit	70
ROAM: Remote Control Unit	71
ROAM XL: Remote Control Unit	72
SVC & WVC Controllers	73
NODE Controllers	74
PSR-22, PSR-52, PSR-53: Pump Start Relays	75
PSR-B: Pump Start Relay Booster	76
Mini-Clik®: Rain Sensor	77
WRC & WRFC: Wireless Rain Sensors	78
Rain-Clik®: Rain Sensor	79
Solar Sync® and Wireless Solar Sync: ET Sensor	80
Accessories..	81
Notes	83

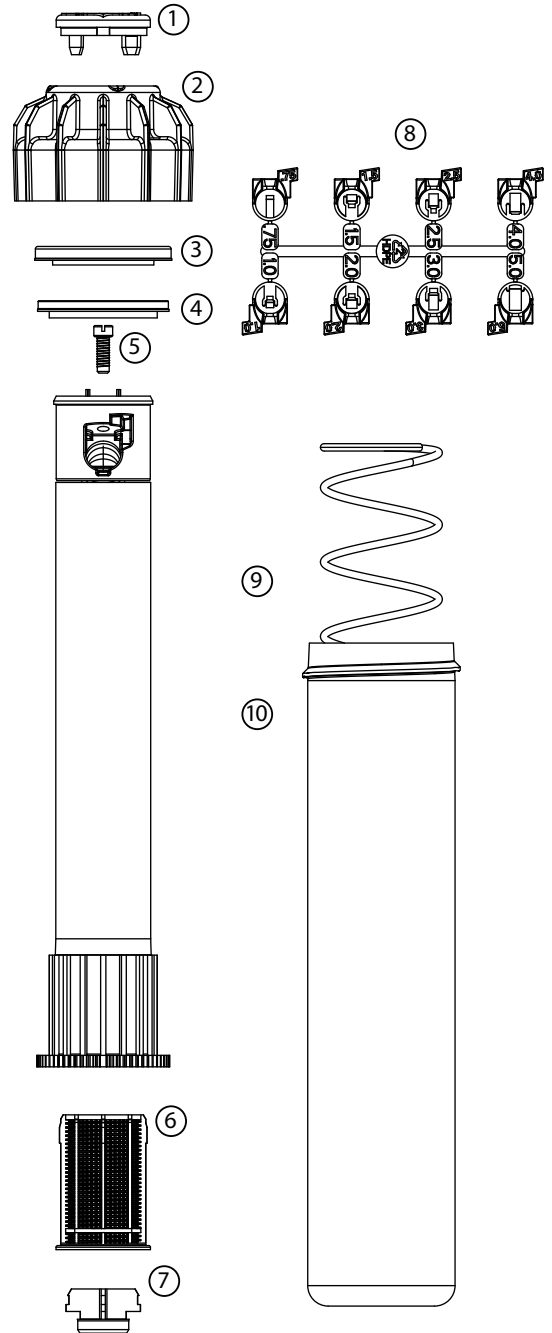
PGJ-00: Gear-Driven Sprinkler

Item	Description	Catalog No.	
①	Rubber Cover	Black	537800
		Purple	537810
②	Nozzle Retention Screw	537900	
③	Screen	272000	
④	O-Ring	464500	
⑤	Shrub Head Base	372800	
⑥	Nozzle Rack (with 8 nozzles)	538700	



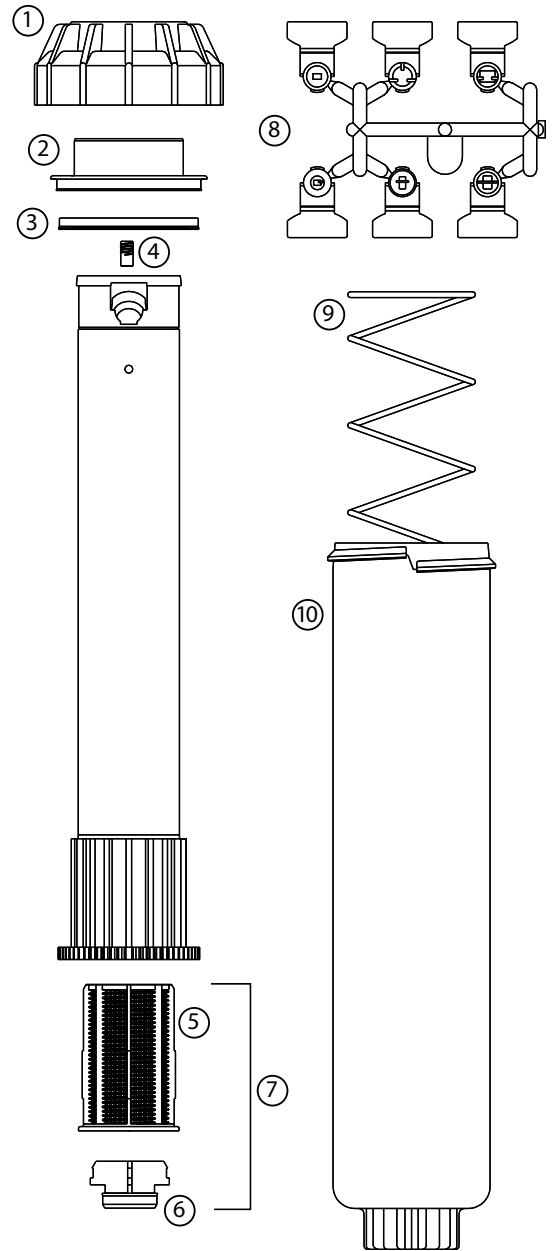
PGJ-04, 06, 12: Gear-Driven Sprinklers

Item	Description	Catalog No.	
①	Rubber Cover	Black	537800
		Black with Check Valve ID	537805
		Purple with Check Valve ID	537810
②	Body Cap	537400	
③	Riser Seal	538100	
④	Spring Seat	326500	
⑤	Nozzle Retention Screw	537900	
⑥	Screen	272000	
⑦	Check Valve (Bag of 25)	462078	
⑧	Nozzle Rack (w/ 8 nozzles)	538700	
⑨	Retraction Spring	4"	272705
		6"	272710
		12"	272715
⑩	Body	4"	537300
		6"	538400
		12"	538500



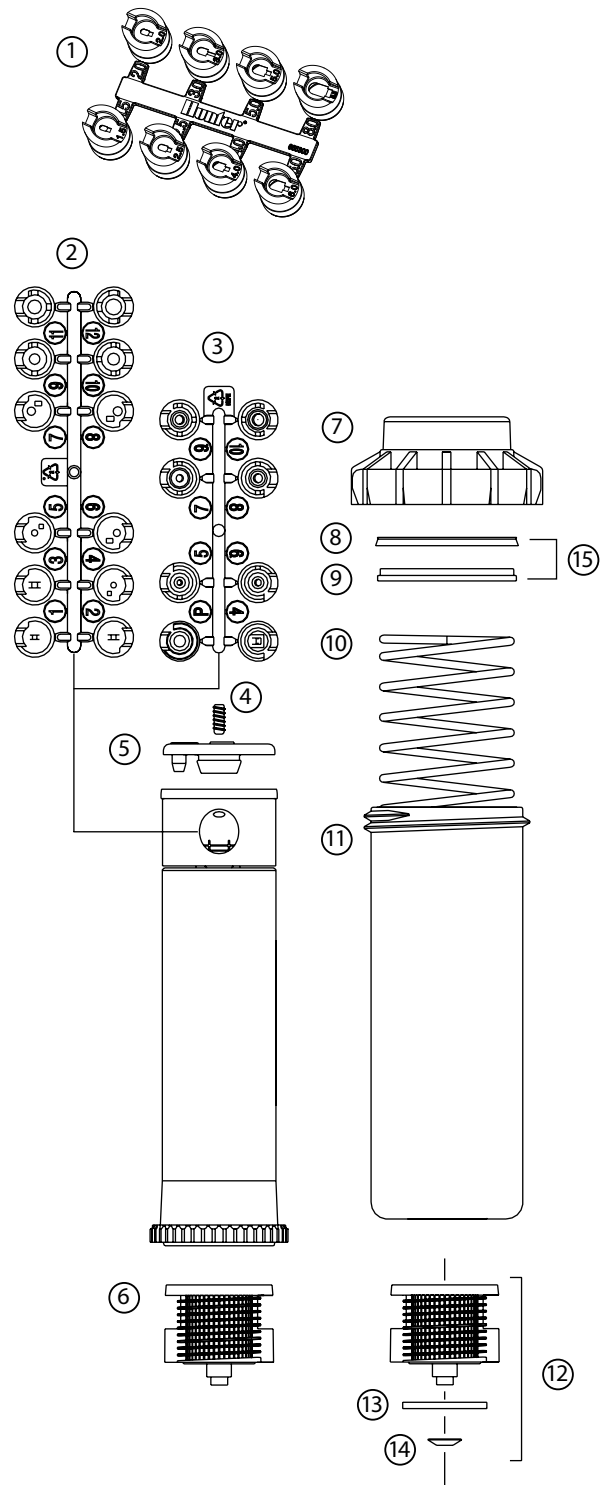
SRM-04, PGM-04, 06, 12: Gear-Driven Sprinklers

Item	Description	Catalog No.	
①	Body Cap	270700	
②	Riser Seal	326400	
③	Spring Seat	326500	
④	Nozzle Retention Screw (Bag of 25)	463262	
⑤	Screen (White)	272000	
⑥	Check Valve (Bag of 25)	462078	
⑦	Screen/Check Valve Assembly	302500	
⑧	Nozzle Rack (w/ 0.50, 0.75, 1.0, 1.5, 2.0, 3.0)	327000	
⑨	Retraction Spring	4"	272705
		6"	272710
		12"	272715
⑩	Body	4"	271100



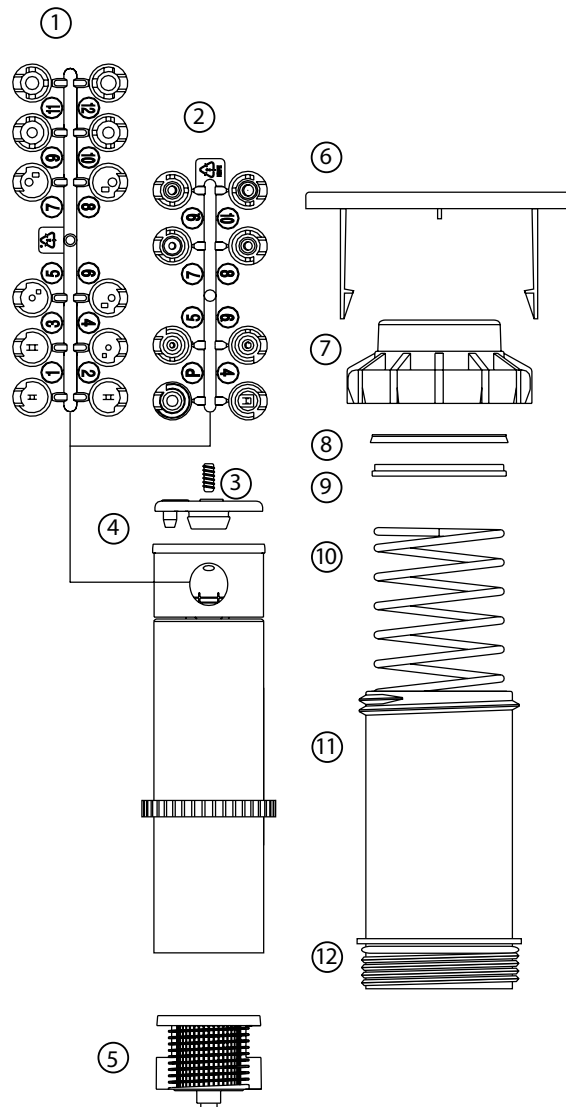
PGP®: Gear-Driven Sprinkler

Item	Description	Catalog No.
①	Blue nozzle Set, 8 nozzles	665300
②	Red Nozzle Set, 12 nozzles	130900
③	Gray Low Angle Nozzles, 7 nozzles	233200
④	Set Screw	120300
Protective Rubber Cover (Fits Units Manufactured After 2/93)		
⑤	Black (ADJ)	269400
⑥	Standard Filter Screen (Black)	102600
⑦	Body Cap	103700
⑧	Riser Seal	181500
⑨	Spring Seat	189900
⑩	Retraction Spring	ADJ
⑪	Pop-Up Body	100200
⑫	Filter Screen/Check Valve Sub-Assembly	142300
⑬	Check Valve Seal	101400
⑭	Retainer Clip	204900
⑮	Seal Replacement Kit (Includes Parts 8 & 9)	253400



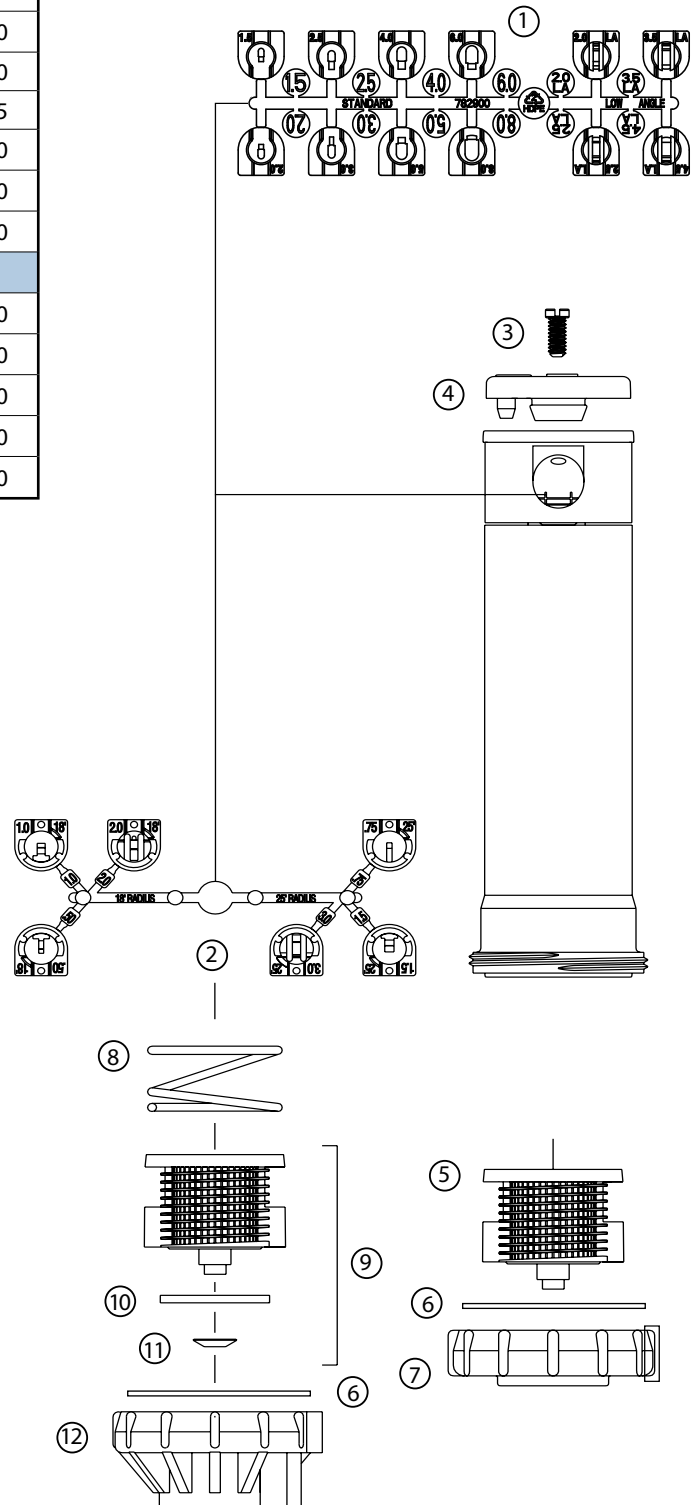
PGP®-ATR: Gear-Driven Sprinkler

Item	Description	Catalog No.
①	Standard Nozzle Set (12) 25° Trajectory	130900
②	Low Angle Nozzle Set (7) 13° Trajectory	233200
③	Set Screw	120300
④	Protective Rubber Cover Black (ADJ)	269400
⑤	Standard Filter Screen (Black)	102600
⑥	ATR Cap	417700
⑦	Body Cap	103700
⑧	Riser Seal	181500
⑨	Spring Seat	189900
⑩	Retraction Spring	417600
⑪	Pop-Up Body	417400
⑫	O-Ring	418200



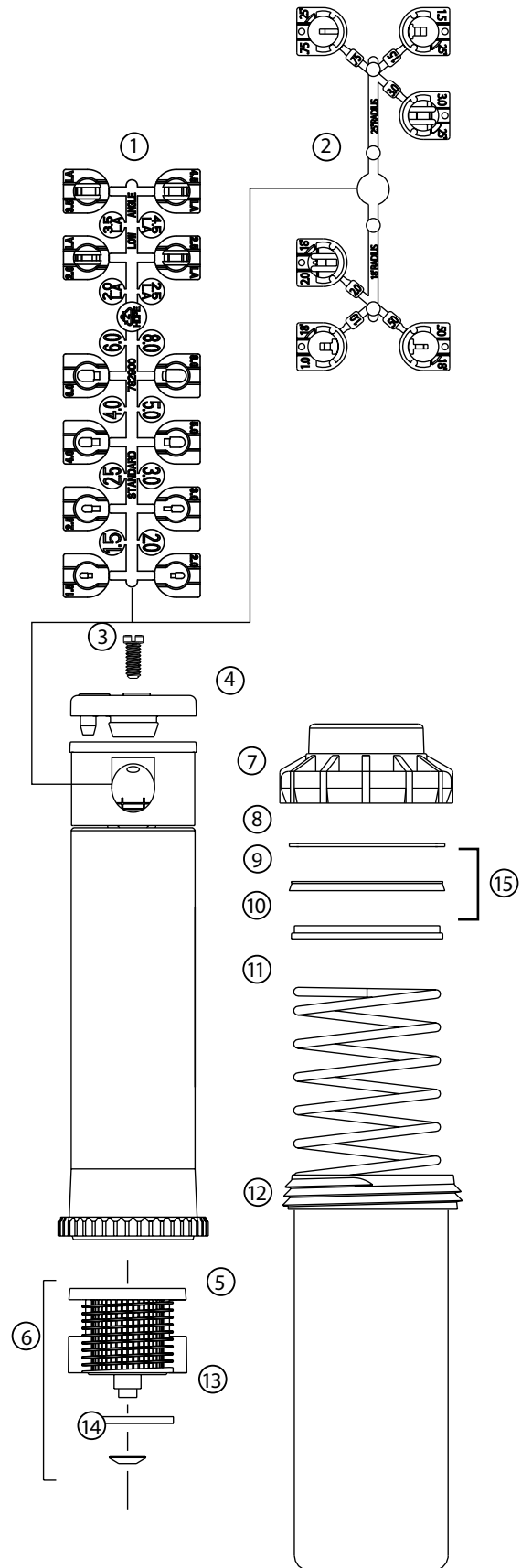
PGP®-00: Gear-Driven Sprinkler

Item	Description	Catalog No.	
①	Standard (8) and Low Angle (4) Nozzle Set, Blue & Gray	782900	
②	Short Radius Nozzle Set (6), Black	466100	
③	Nozzle Retainer Screw - Headed w/ Slot	180900	
④	Rubber Cover Assembly	Black	183600
		Purple	183605
⑤	Standard Filter Screen (Black)	102600	
⑥	O-Ring	170600	
⑦	Standard Shrub Head Base	106900	
Options			
⑧	Check Valve Spring	235000	
⑨	Filter Screen/Check Valve Sub Assembly	142300	
⑩	Check Valve Seal	101400	
⑪	Retainer Clip	204900	
⑫	Shrub Head Base	Check Valve Model	234900



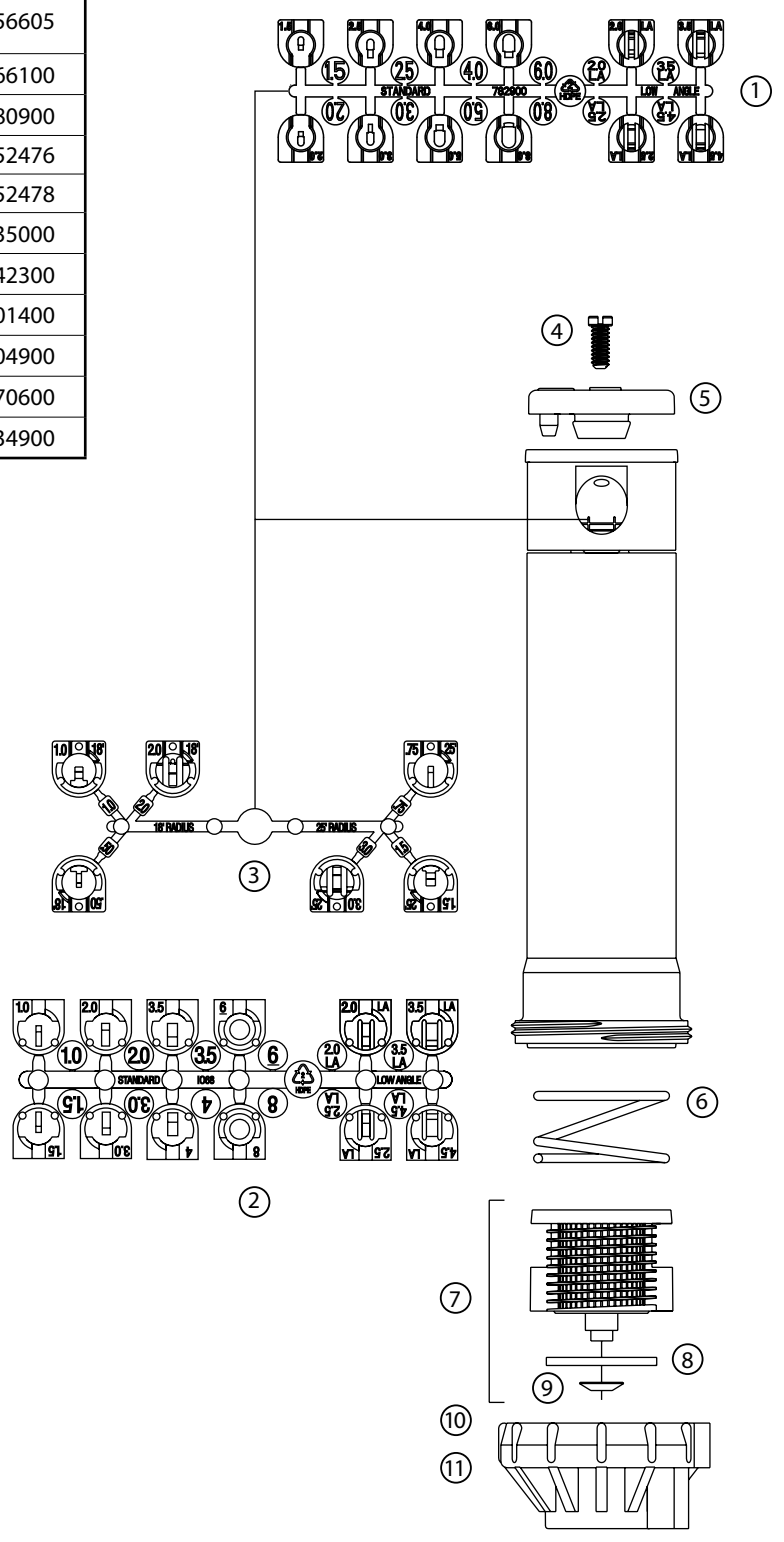
PGP®-04 Ultra, PGP-12 CV Ultra: Gear-Driven Sprinklers

Item	Description	Catalog No.	
①	Standard (8) and Low Angle (4) Nozzle Set, Blue & Gray	782900	
②	Short Radius Nozzle Set (6), Black	466100	
③	Nozzle Retainer Screw - Headed w/ Slot	180900	
④	Rubber Cover Assembly	Black	183600
		Purple	183605
⑤	Filter Screen	Standard Model	102600
⑥	Check Valve Screen Assembly		142300
⑦	Body Cap		103700
⑧	Slip Washer	PGP-12-CV-Only	296100
⑨	Riser Seal		181500
⑩	Spring Seat		189900
⑪	Retraction Spring	PGP-04	104000
		PGP-04-CV	150600
		PGP-12-CV	179500
⑫	Pop-up Body	PGP-04	100200
		PGP-12-CV	179100
⑬	Check Valve Seal Only		101400
⑭	Retainer Clip		204900
⑮	Seal Replacement Kit (Includes Parts 9 & 10)		253400



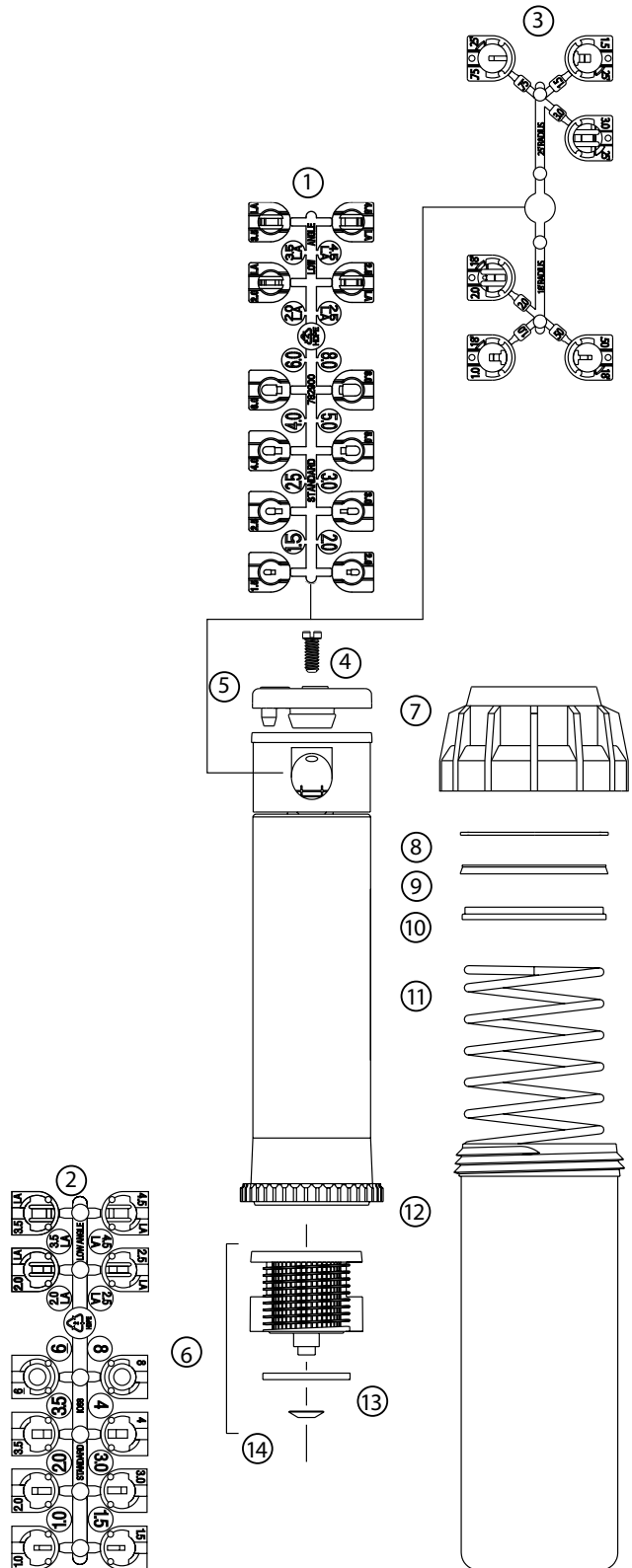
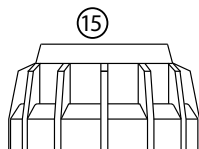
I-20-00: Gear-Driven Sprinklers

Item	Description	Catalog No.	
①	Standard (8) and Low Angle (4) Nozzle Set, Blue & Gray	782900	
②	Standard (8) and Low Angle (4) Nozzle Set, NAVY Blue & Gray	356605	
③	Short Radius Nozzle Set (6), Black	466100	
④	Nozzle Retainer Screw	180900	
⑤	Rubber Cover Assembly	Black	352476
		Purple	352478
⑥	Check Valve Spring	235000	
⑦	Check Valve Screen Assembly	142300	
⑧	Check Valve Seal Only	101400	
⑨	Retainer Clip	204900	
⑩	O-Ring	170600	
⑪	Shrub Head Base	Check Valve Model	234900



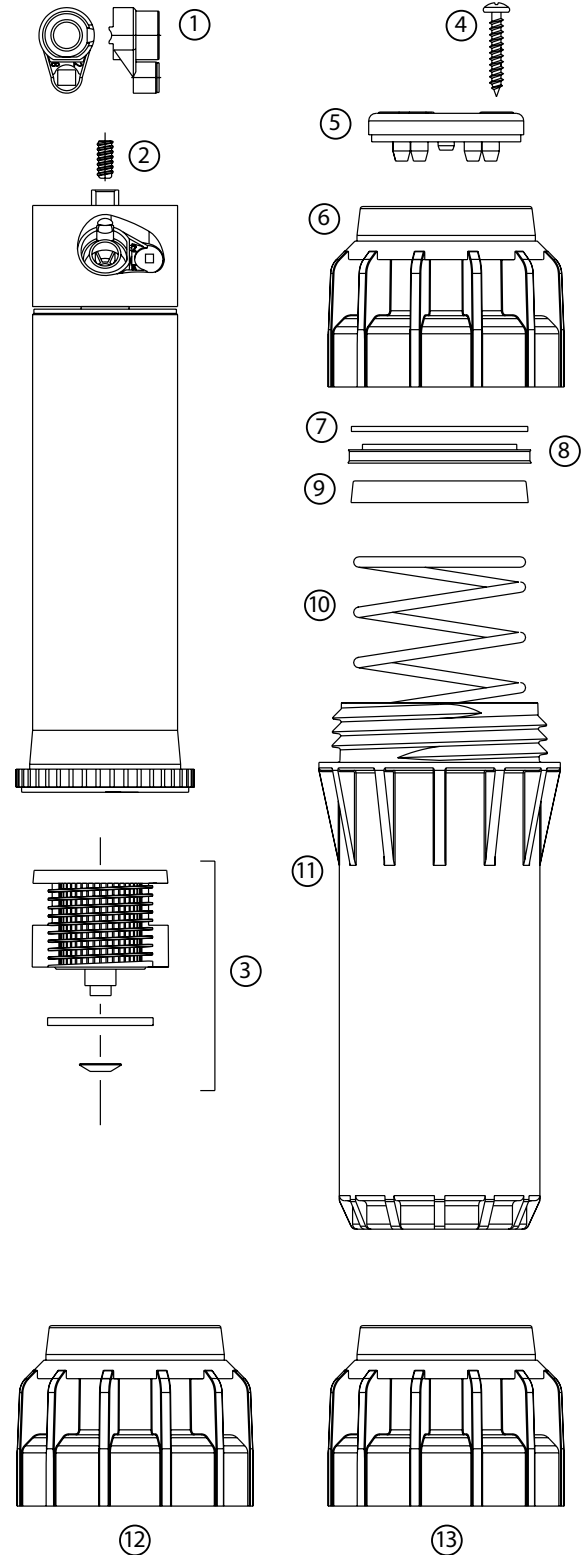
I-20-04, I-20-06, I-20-12: Gear-Driven Sprinklers

Item	Description	Catalog No.	
①	Standard (8) and Low Angle (4) Nozzle Set, Blue & Gray	782900	
②	Standard (8) and Low Angle (4) Nozzle Set, NAVY Blue & Gray	356605	
③	Short Radius Nozzle Set (6),Black	466100	
④	Nozzle Retainer Screw	180900	
⑤	Rubber Cover Assembly	Black	352476
		Purple	352478
⑥	Filter Screen with Check Valve Assembly	142300	
⑦	Body Cap	356000	
⑧	Slip Washer	I-20-12-Only	296100
⑨	Riser Seal	I-20-04	252500
		I-20-06	252500
		I-20-12	181500
⑩	Spring Seat	I-20-04	227800
		I-20-06	227800
		I-20-12	189900
⑪	Retraction Spring	I-20-04, I-20-04-SS	150600
		I-20-06, I-20-06-SS	460300
		I-20-12	179500
⑫	Pop-up Body	I-20-04, I-20-04-SS	229200
		I-20-06, I-20-06-SS	434700
		I-20-12	404200
⑬	Check Valve Seal Only	101400	
⑭	Retainer Clip	204900	
⑮	I-20 Shut Off Cap Assembly		296000
		Cap only	295900
		O-Ring ONLY	252106



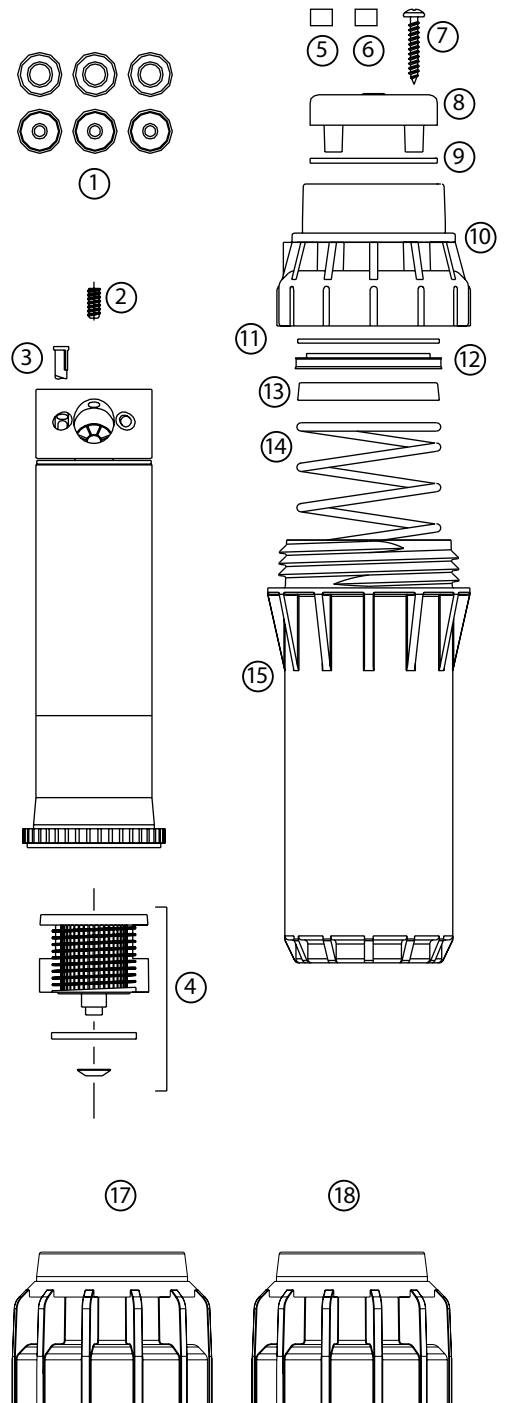
I-25-04, 06: Gear-Driven Sprinklers

Item	Description	Catalog No.	
①	Nozzle Pack (1 each 7, 10, 15, 20, 25)	460010	
	#4 – Yellow	463401	
	#5 – White	463402	
	#7 – Orange	463403	
	#8 – Lt. Brown	463404	
	#10 – Lt. Green	463405	
	#13 – Lt. Blue	463406	
	#15 – Gray	463407	
	#18 – Red	463408	
	#20 – Dk. Brown	463409	
	#23 – Dk. Green	463410	
	#25 – Dk. Blue	463411	
#28 – Black	463412		
②	Nozzle Retainer Screw	333900	
③	Filter Screen/Check Valve Assembly (White)	303700	
④	Rubber Cover Screw (2 Required)	334000	
⑤	Rubber Cover Assembly (logo base & rubber cover) before 12/01/2013	Black	344605
		Black SS	344635
		Purple	344615
		Purple SS	344640
		Brown SS	344625
	Rubber Cover Assembly (logo base & rubber cover) after 12/02/2013	Black	831000
		Black SS	831003
		Purple	831001
		Purple SS	831004
Brown SS	831002		
⑥	Body Cap Assembly before 12/01/2013	341500	
	Body Cap Assembly after 12/02/2013	828500	
⑦	Riser Seal Slip Washer	Black before 12/01/2013	221800
		Gray after 12/02/2013	827600
⑧	Riser Seal	Black before 12/01/2013	221200
		White after 12/02/2013	827500
⑨	Spring Seat	Black before 12/01/2013	221100
		Gray after 12/02/2013	827800
⑩	Retraction Spring	Standard Models (4")	300800
		High-Speed Models (4")	221300
		Standard Models (6")	615600
		High-Speed Models (6")	615700
⑪	Body	NPT (4")	336405
		BSP (4")	336410
		NPT (6")	614705
		BSP (6")	614710
⑫	I-25/I-40 Shut Off Cap	223200	
⑬	I-25/I-40 Blow Out Cap	345400	



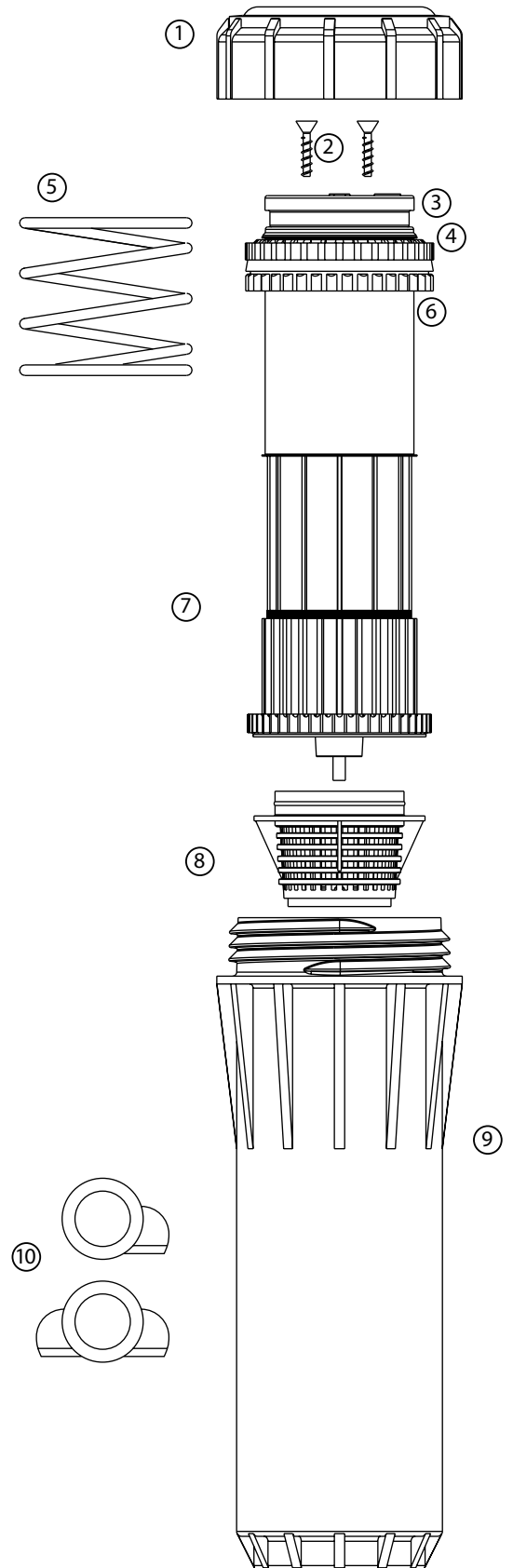
I-40-04, 06: Gear-Driven Sprinklers

Item	Description	Catalog No.	
①	Adjustable Nozzle Pack (1 each 8, 10, 13, 15, 23, 25)	462458	
	Nozzles (Bag of 25)	#8-Lt. Brown	461144
		#10-Lt. Green	461145
		#13-Lt. Blue	461146
		#15-Gray	461147
		#23-Dk. Green	461148
		#25-Dk. Blue	462436
②	Opposing Nozzle Pack (1 each 15, 18, 20, 23, 25, 28)	462459	
	Nozzle Retainer Screw	333900	
③	Diffuser Pin	245400	
④	Filter Screen/Check Valve Assembly (White)	303700	
⑤	Model Number Button	I-40	252705
⑥	Feature Designation Button	Blank	252845
		HS	252855
		ON	252850
⑦	Rubber Cover Screw (2 Required)	334000	
⑧	Rubber Cover Assembly (Includes Part 10)	Black	345005
		Brown	345010
		Purple	345015
⑨	Rubber Cover Washer	253000	
⑩	Body Cap Assembly	221600	
⑪	Riser Seal Slip Washer	Black before 12/01/2013	221800
		Gray after 12/02/2013	827600
⑫	Riser Seal	Black before 12/01/2013	221200
		White after 12/02/2013	827500
⑬	Spring Seat	Black before 12/01/2013	221100
		Gray after 12/02/2013	827800
⑭	Retraction Spring	4"	221300
		6"	615700
⑮	Body	NPT (4")	336405
		BSP (4")	336410
		NPT (6")	614705
		BSP (6")	614710
⑰	I-25/I-40 Shut Off Cap	223200	
⑱	I-25/I-40 Blow Out Cap	345400	



I-60: Gear-Driven Sprinklers

Item	Description	Catalog No.		
①	Body Cap Assembly	431700		
②	Rubber Cover Screw (2 Required)	334000		
③	Rubber Cover Assembly	ADS (Black)	420300	
		36S (Black)	420400	
		ARS (Purple)	420305	
		3RS (Purple)	420405	
④	Diffuser Yoke	36S Only	350600	
⑤	Spring		348700	
⑥	Seal Assembly (Includes seal supports and stainless steel sleeve)		350100	
⑦	Face Seal		557500	
⑧	Filter Screen Assembly (with Check Valve)		422200	
⑨	Body	NPT	420610	
		BSP	420615	
⑩	Nozzle Package (Includes 7, 10, 13, 15, 18, 20)	ADS	462373	
		36S	462374	
⑩	Nozzles (Bag of 25)	ADS	#7 – Orange	472373
			#10 – Lt. Green	472374
			#13 – Lt. Blue	472375
			#15 – Gray	472376
			#18 – Red	472377
			#20 – Dk. Brown	472378
		36S	#7 – Orange	463471
			#10 – Lt. Green	463472
			#13 – Lt. Blue	463473
			#15 – Gray	463474
	#18 – Red	463475		
	#20 – Dk. Brown	463476		

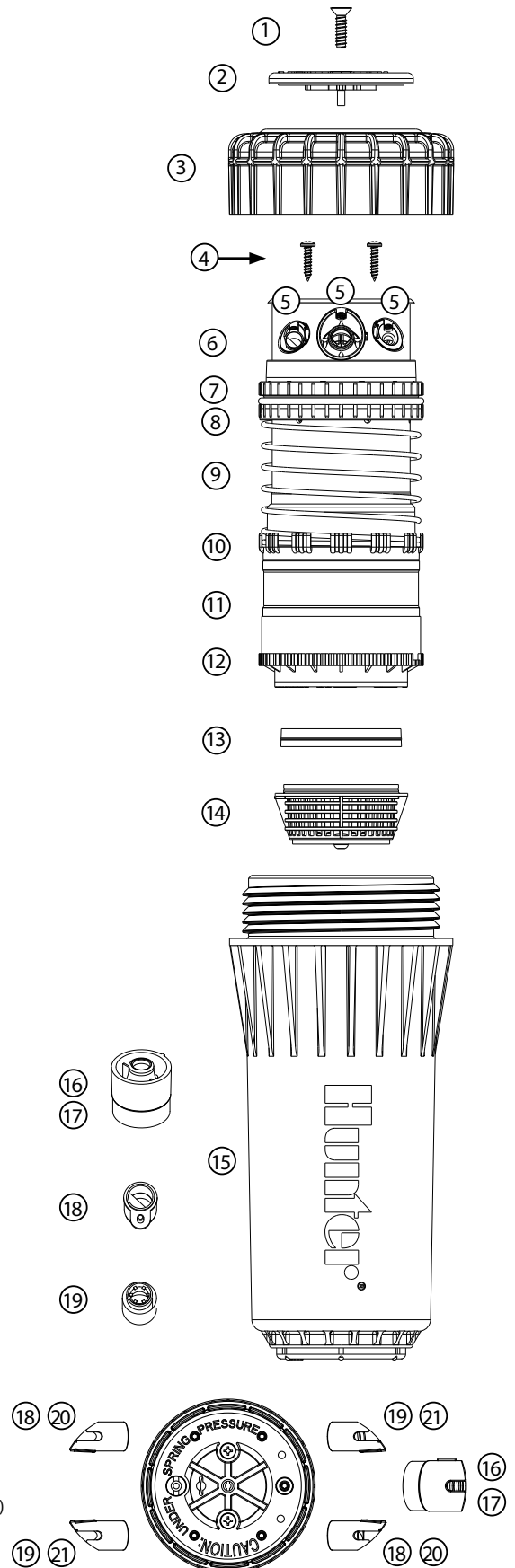


I-90: Gear-Driven Sprinkler

Item	Description	Catalog No.		
①	Rubber Cover Screw (1 Required)	351800		
②	Rubber Cover Assembly	ADV (Black)	529000	
		36V (Black)	528900	
		ARV (Purple)	529005	
		3RV (Purple)	528905	
③	Body Cap Assembly	525000		
④	Retainer Cap Screws (2 Required)	334000		
⑤	Nozzle Retainer Screw (5 Required, not shown)	053339		
⑥	Retainer Cap (5/11 & prior)	ADV, ARV	346800	
		36V, 3RV	346700	
	Retainer Cap (6/11 & after) – All	197200		
⑦	Seal Block*	171710*		
⑧	O-Ring Seal*	171600*		
⑨	Retraction Spring*	171900*		
⑩	Face Seal - Black*	406000*		
⑪	Bumper - White*	171800*		
⑫	Riser Assembly (Includes #4–11)	ADV, ARV	525500	
		36V, 3RV	525400	
⑬	Stator Adjustment Plate	052833		
⑭	Screen Assembly	525200		
⑮	Body	NPT	525100	
		BSP	525105	
⑯	Nozzle Pack (1 Ea 25, 33, 38, 43, 48, 53, 63, 73)	461204		
⑰	Primary Nozzles (Bag of 25)	#25 – Lt. Blue	460011	
		#33 – Gray	464363	
		#38 – Red	464364	
		#43 – Dk. Brown	464365	
		#48 – Dk. Green	464366	
		#53 – Dk. Blue	464367	
		#63 – Black	464368	
		#73 – Orange	460012	
		Low Angle Primary Nozzles (Bag of 25)	#25 – Lt. Blue	791500
			#33 – Gray	791600
			#38 – Red	791800
			#43 – Dk. Brown	791900
			#48 – Dk. Green	792000
			#53 – Dk. Blue	792100
#63 – Black	792200			
#73 – Orange	792300			
⑱	Short Range Nozzle (5/11 & Prior) - All (Left, Black)	439100		

*Parts 7–11 are required for the new I-90 seal replacement kit

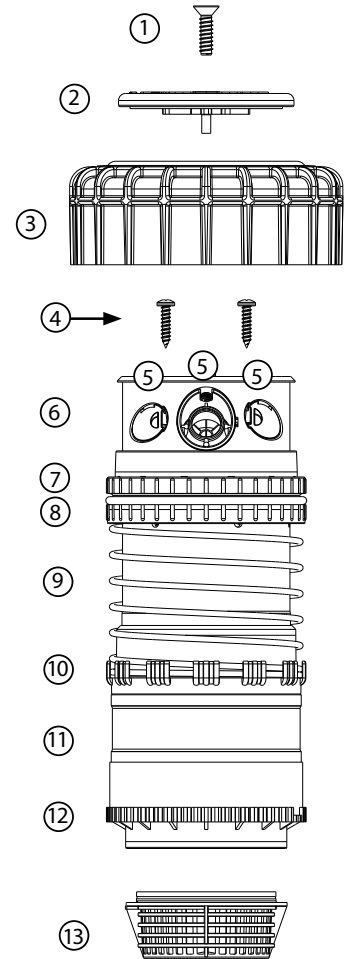
(Parts 19-21 are listed on the next page)



I-90: Gear-Driven Sprinkler (Con't from page 13)

(Please refer to the illustration on page 13)

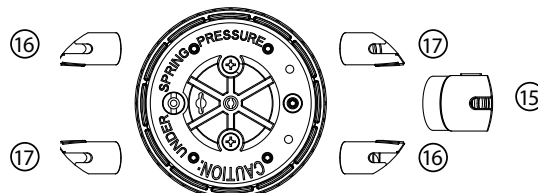
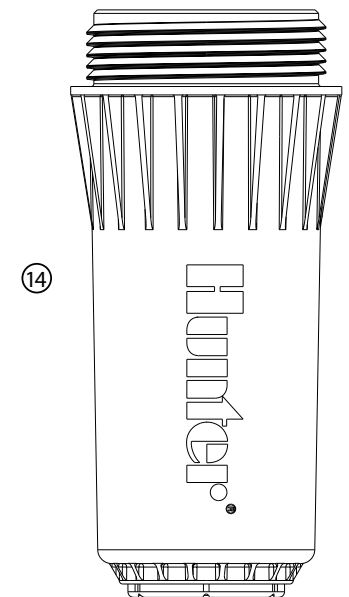
19	Short Range Nozzle (6/11 & After) (Left, Red) All Models		191800
	Mid Range Nozzle (5/11 & Prior)	(Right, Green) ADV, ARV	439000
		(Right, Blue) 36V, 3RV	455400
	Mid Range Nozzle (6/11 & After)	(Right, Green) ADV, ARV	195701
(Right, Blue) 36V, 3RV		195704	
20	Nozzle Plug (6/11 & After) (Left, Black) - All		195803
21	Nozzle Plug (6/11 & After) (Right, Black) - All		195703



ST-90: Gear-Driven Sprinkler

Item	Description	Catalog No.	
1	Rubber Cover Screw (1 Required)	351800	
2	Rubber Cover Assembly - Green	208900	
3	Body Cap Assembly	525000	
4	Retainer Cap Screws (2 Required)	334000	
5	Nozzle Retainer Screw (5 Required, not shown)	053339	
6	Retainer Cap - All	197200	
7	Seal Block*	171710*	
8	O-Ring Seal*	171600*	
9	Retraction Spring*	171900*	
10	Face Seal - Black*	406000*	
11	Bumper - White*	171800*	
12	Riser Assembly (Includes #4-13)	517800	
13	Screen Assembly	524600	
14	Body	NPT	525100
		BSP	525105
15	Primary Nozzles (Bag of 25)	#73 - Orange	460012
		#83 - Tan	197909
16	Nozzle Plug (Left, Green)	195802	
17	Nozzle Plug (Right, Green)	195702	

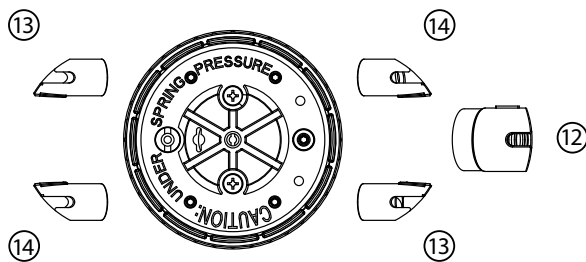
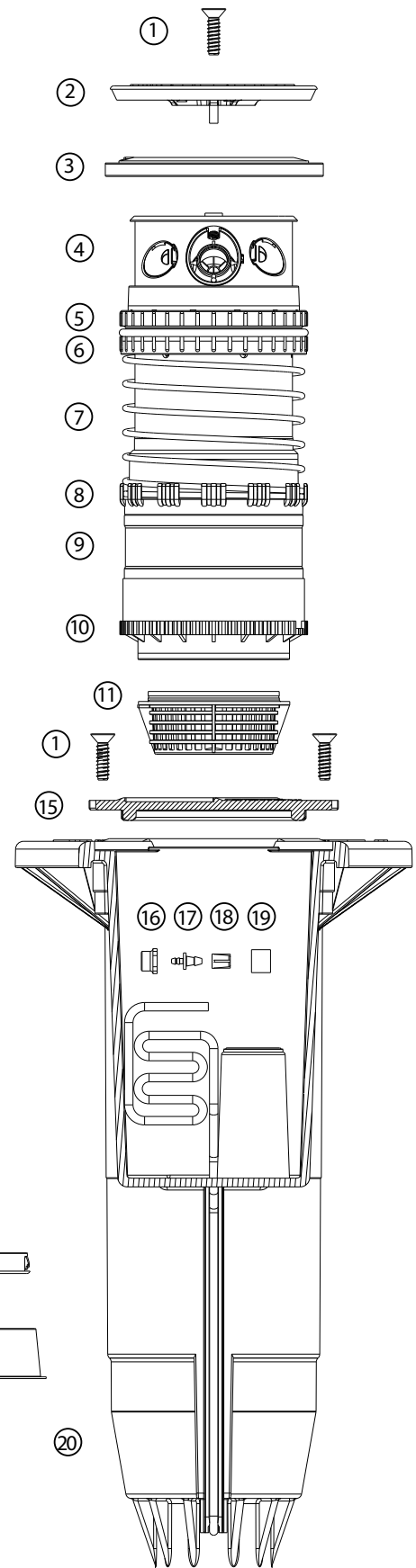
*Parts 7-11 are required for the new I-90 seal replacement kit



ST-90: Gear-Driven Sprinkler

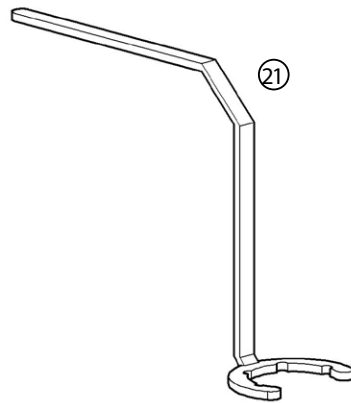
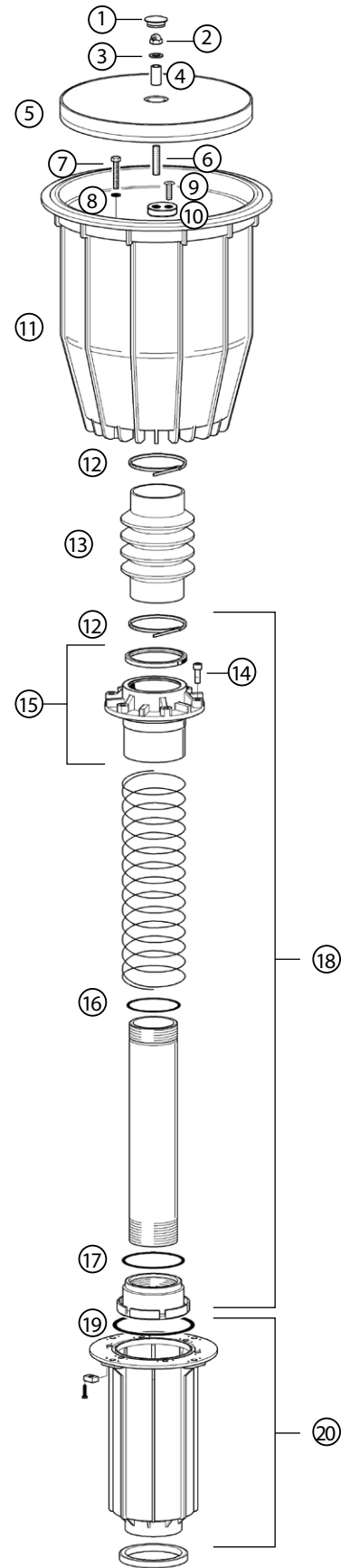
STG-900: Gear-Driven Sprinkler

Item	Description	Catalog No.	
①	Screw - Logo Cap Retainer	351800	
②	Rubber Logo Cap - (Green)	242505	
③	Snap Ring Assy. - (Black)	430700	
④	Screw - Nozzle Retainer (5 used)	333900	
⑤	Seal Block	171700	
⑥	O-Ring - Seal	171600	
⑦	Spring - Riser Retraction	171900	
⑧	Face Seal - Black	406000	
⑨	Bumper - White	171800	
⑩	Riser Assembly - (incl: items 4 - 11)	517900	
⑪	Screen - Riser Inlet	524600	
⑫	Primary Nozzles (Bag of 25)	#73 - Orange	460012
		#83 - Tan	197909
⑬	Nozzle Plug (Left, Green)	195802	
⑭	Nozzle Plug (Right, Green)	195702	
⑮	Lid - Flange Compartment	493605	
⑯	Tube Retainer - 1/8" Tubing	476000	
⑰	Connector - 1/4" x 1/8" Tubing	402100	
⑱	Tube Plug - 1/4" Tubing	052608	
⑲	Tube Retainer - 1/4" Tubing	052610	
⑳	Body Assembly, STG-900 (incl: items 16 - 22)	521000	
㉑	Cap, Protective - solenoid wire hole	643900	
㉒	Cap, Protective	456800	



ST-1600B and ST-1600HSB: Pop-Up

Item	Description	Catalog No.
①	Plug - Logo Cap	189779
②	Nut - Logo Cap Retention	189781
③	Washer - Logo Cap Retention	194920
④	Support Tube - Logo Cap (brass)	180515
⑤	Logo Cap - Green	204205
⑥	Stud - Threaded	204905
⑦	Bolt - Upper Body Case Retention	204943
⑧	Washer - Upper Body Retention	194921
⑨	Screw - Base Support Retention	205102
⑩	Base Support - Logo Cap (brass)	502419
⑪	Case - Upper Body	502432
⑫	Zip-Tie Retainer (2 used)	205601
⑬	Rubber Boot - Telescoping	502423
⑭	Allen Screw - Flange Ret. (6 used)	205117
⑮	Flange and Seal Assembly	204206
⑯	O-Ring - Pop-Up to Turret Inlet Seal	252107
⑰	O-Ring - Pop-up Base Seal	252109
⑱	Pop-Up Assembly (incl. 12 thru 17)	502436
⑲	O-Ring - Flange to Lower Body	252112
⑳	Lower Body Case Assembly	502442
㉑	Tool - Gear Drive Remove / Install	517600

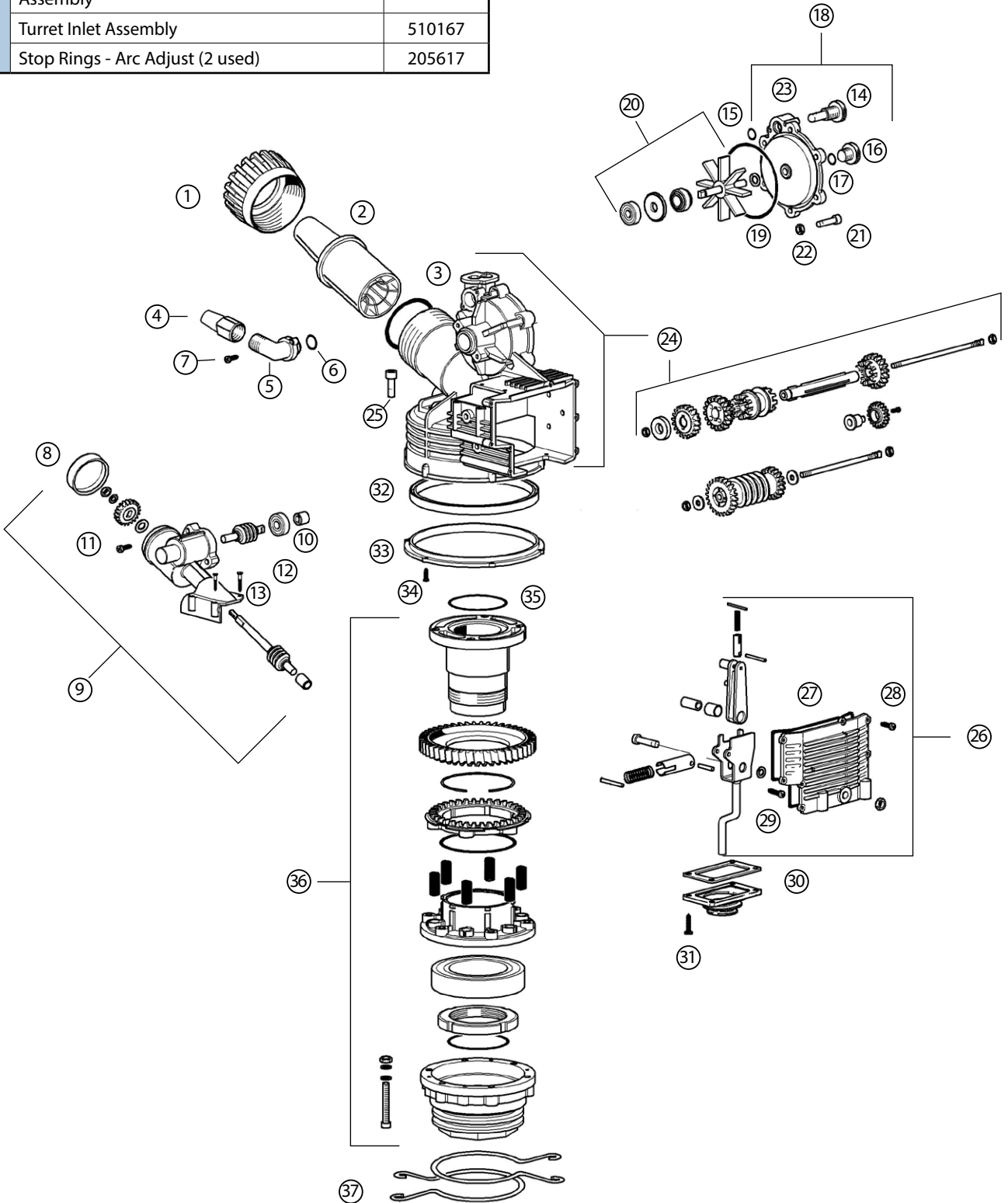


ST-1600 Gear-Drive: B and BR Models

Item	Description	Catalog No.	
①	Retainer - Primary Nozzle	502402	
②	Nozzles - Primary (each)	#16 - Black	784800
		#18 - Black	784801
		#20 - Black	784802
		#22 - Black	784803
		#24 - Black	784804
		#26 - Black	784805
③	O-Ring - Primary Nozzle Seal	252113	
④	Nozzles - Brass Secondary (each)	Standard 6.0	788500
		6.5	788501
		7.0	788502
⑤	Elbow - Secondary Nozzle	502451	
⑥	O-Ring - Elbow Seal	252114	
⑦	Screw - Elbow Retainer (2 used)	205119	
⑧	Cover - Gearbox	502455	
⑨	Gearbox Assembly (incl. 8 & 10)	502457	
⑩	Coupler - Gearbox to Turbine	502459	
⑪	Screw - Coupler Connection (2 used)	205121	
⑫	Screw - Large Interior (2 used)	205106	
⑬	Screw - Small Exterior (2 used)	205123	
⑭	Knob - Speed Control	510101	
⑮	O-Ring - Speed Control Knob	252115	
⑯	Screw - Brass - Turbine Access	205124	
⑰	O-Ring - Turbine Access Screw	252115	
⑱	Cover Assembly - Turbine (incl.14 thru 17)	510155	
⑲	O-Ring - Cover Assembly	252118	
⑳	Turbine Assembly (incl. bearing, seal & washer)	510159	
㉑	Screw - Cover Assembly (6 used)	205131	
㉒	Nut - Cover Assembly (6 used)	189782	
㉓	Screw - Speed Control Knob (2 used)	205106	
㉔	Turret & Transmission Assembly	510162	
㉕	Allen Screw - Turret & Transmission Assembly (4 used)	205116	
㉖	Reversing Mechanism Assembly	510164	
㉗	Gasket - Reversing Mechanism Assembly	205609	
㉘	Screw - Short - Reversing Mechanism (8 used)	205127	
㉙	Screw - Long - Reversing Mechanism (1 used)	205129	
㉚	Rubber Boot Cover Assembly - Shifter Arm	510166	
㉛	Screw - Cover Assembly (4 used)	205123	
㉜	Seal - Lower Turret & Transmission Assembly	205612	
㉝	Cover - Lower Seal Turret & Transmission Assembly	205616	

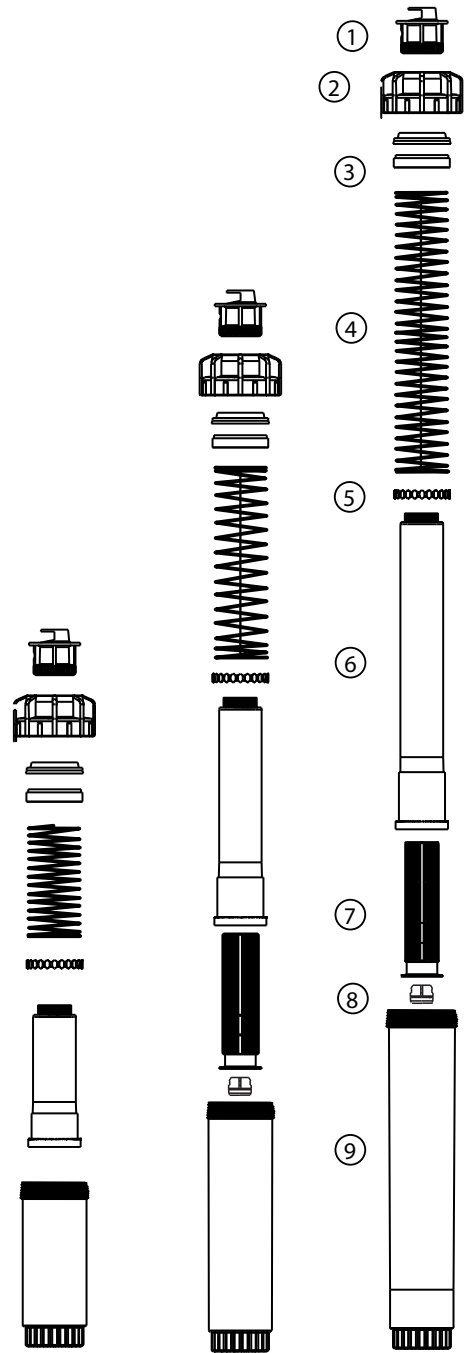
ST-1600 Gear-Drive: B and BR Models

Item	Description	Catalog No.
34	Screw - Lower Seal Cover (6 used)	205127
35	O-Ring - Turret/Transmission to Turret Inlet Assembly	252119
36	Turret Inlet Assembly	510167
37	Stop Rings - Arc Adjust (2 used)	205617



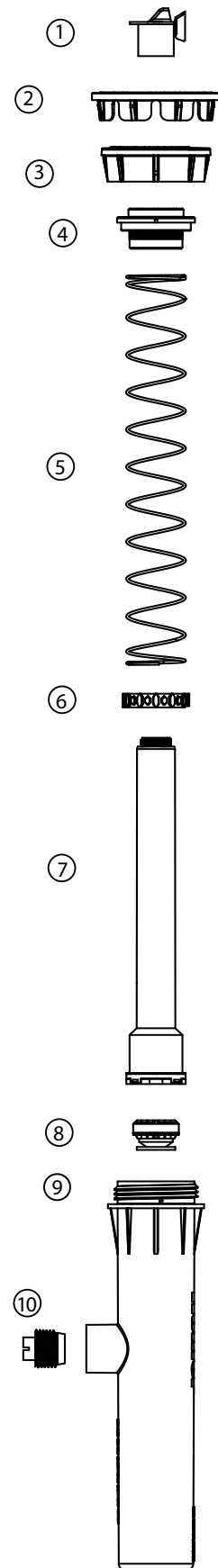
PSU-02, 04, 06: PS Ultra Spray Sprinklers

Item	Description	Catalog No.	
①	Flush Cap (White)	162800	
②	Body Cap Standard (Black)	162600	
③	Spring Seat	181100	
④	Spring	2"	180200
		4"	192100
		6"	162400
⑤	Ratchet Ring	162700	
⑥	Riser	2"	162300
		4"	162500
		6"	163100
⑦	Filter Screen (4" and 6" models only)	162900	
⑧	Check Valve Assembly (Bag of 25)	462237	
⑨	Body	2" Pop-up Body	179900
		4" Pop-up Body	192000
		6" Pop-up Body	163200



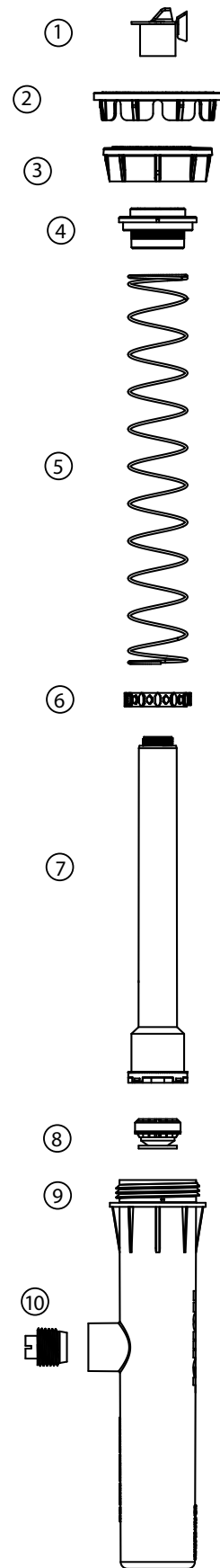
PROS-02, 03, 04, 06, 12: Pro-Spray® Sprinklers

Item	Description	Catalog No.	
①	Flush Cap (Gray)	423900	
②	Snap-On Reclaimed Cap	Purple PROSRCCAP	
③	Body Cap	Standard (Black)	458500
		With Check Valve ID (Black)	458505
		Reclaimed Body Cap (Purple)	458520
		Reclaimed w/ Check Valve ID (Purple)	458525
④	Riser Seal	472300	
⑤	Spring	2"	630900
		3"	631000
		4"	459500
		6"	460400
		12"	460500
⑥	Ratchet Ring	629300	
⑦	Riser	2"	630300
		3"	630400
		4"	424100
		6"	458700
		12"	458900
⑧	Check Valve Assembly	437400	
⑨	Body	2" w/o Side Inlet	630500
		3" w/o Side Inlet	630600
		4" w/o Side Inlet	424000
		6" w/ Side Inlet	458800
		6" w/o Side Inlet	645700
		12" w/ Side Inlet	459000
⑩	Side Plug (6" and 12" models only)	460600	



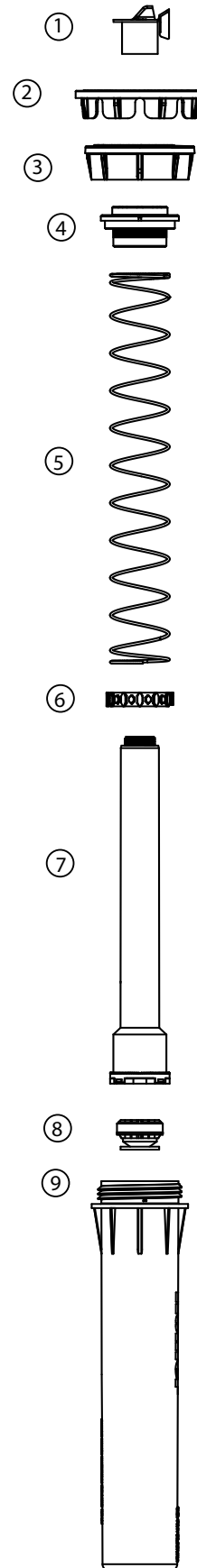
PRS30-04, 06, 12: Pro-Spray® Pressure Regulated Spray Bodies

Item	Description	Catalog No.	
①	Flush Cap (Blue)	423905	
②	Snap-On Reclaimed Cap	PROSRCCAP	
③	Body Cap	Standard (Brown)	458551
		With Check Valve ID (Brown)	458554
		Reclaimed Body Cap w/ Check Valve ID (Purple)	458560
④	Riser Seal	472300	
⑤	Spring	4"	459600
		6"	460400
		12"	460500
⑥	Ratchet Ring	629300	
⑦	Riser	4"	437505
		6"	459105
		12"	462205
⑧	Check Valve Assembly	437400	
⑨	Body	4" w/o Side Inlet	424000
		6" w/ Side Inlet	458800
		6" w/o Side Inlet	645700
		12" w/ Side Inlet	459000
		12" w/o Side Inlet	645800
⑩	Side Plug (6" and 12" models only)	460600	



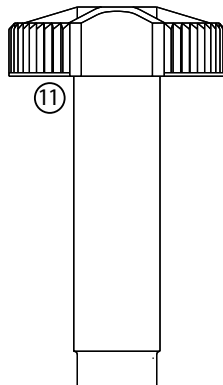
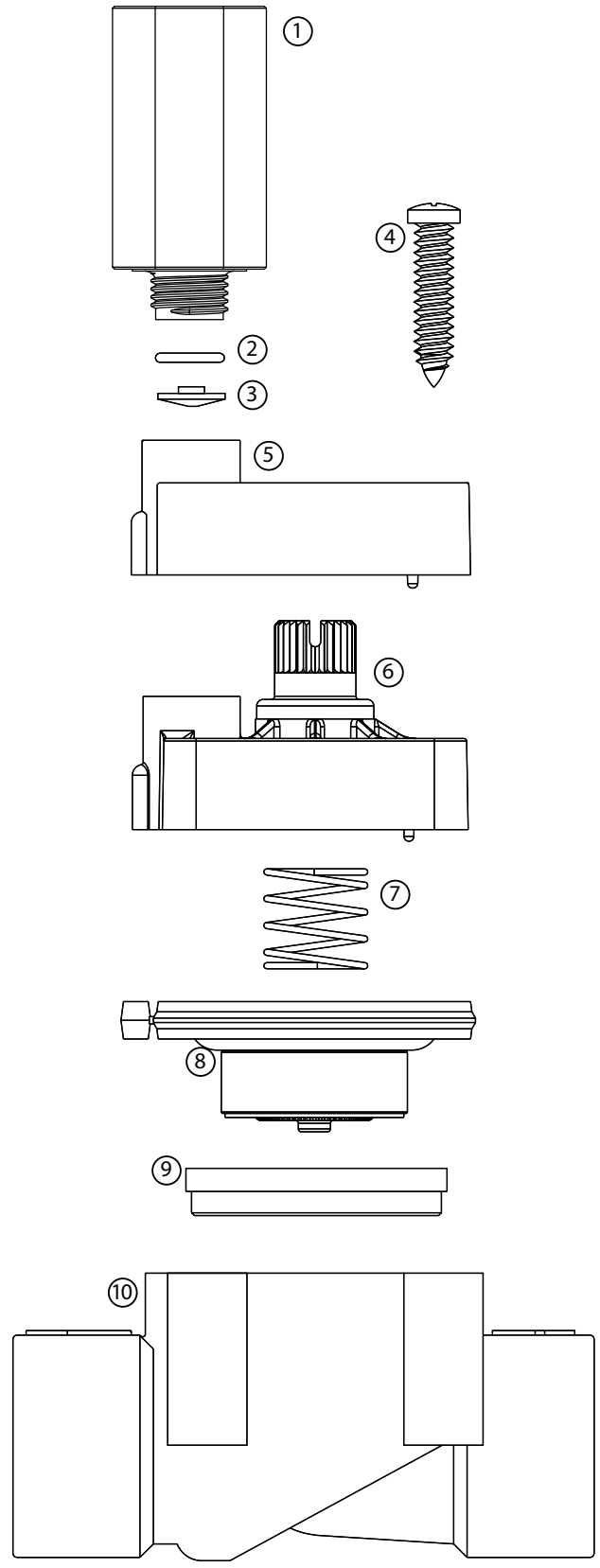
PRS40-04CV, 06CV, 12CV: Pro-Spray® Pressure Regulated Spray Bodies

Item	Description	Catalog No.	
①	Flush Cap (Blue)	423905	
②	Snap-On Reclaimed Cap	Purple PROSRCCAP	
③	Body Cap	Standard (Gray) w/Check Valve ID	458556
		Reclaimed w/ Check Valve ID (Purple)	458562
④	Riser Seal	472300	
⑤	Spring	4"	459600
		6"	460400
		12"	460500
⑥	Ratchet Ring	629300	
⑦	Riser	4"	437520
		6"	459120
		12"	462220
⑧	Check Valve Assembly	437400	
⑨	Body	4" w/o Side Inlet	424000
		6" w/o Side Inlet	645700
		12" w/o Side Inlet	645800



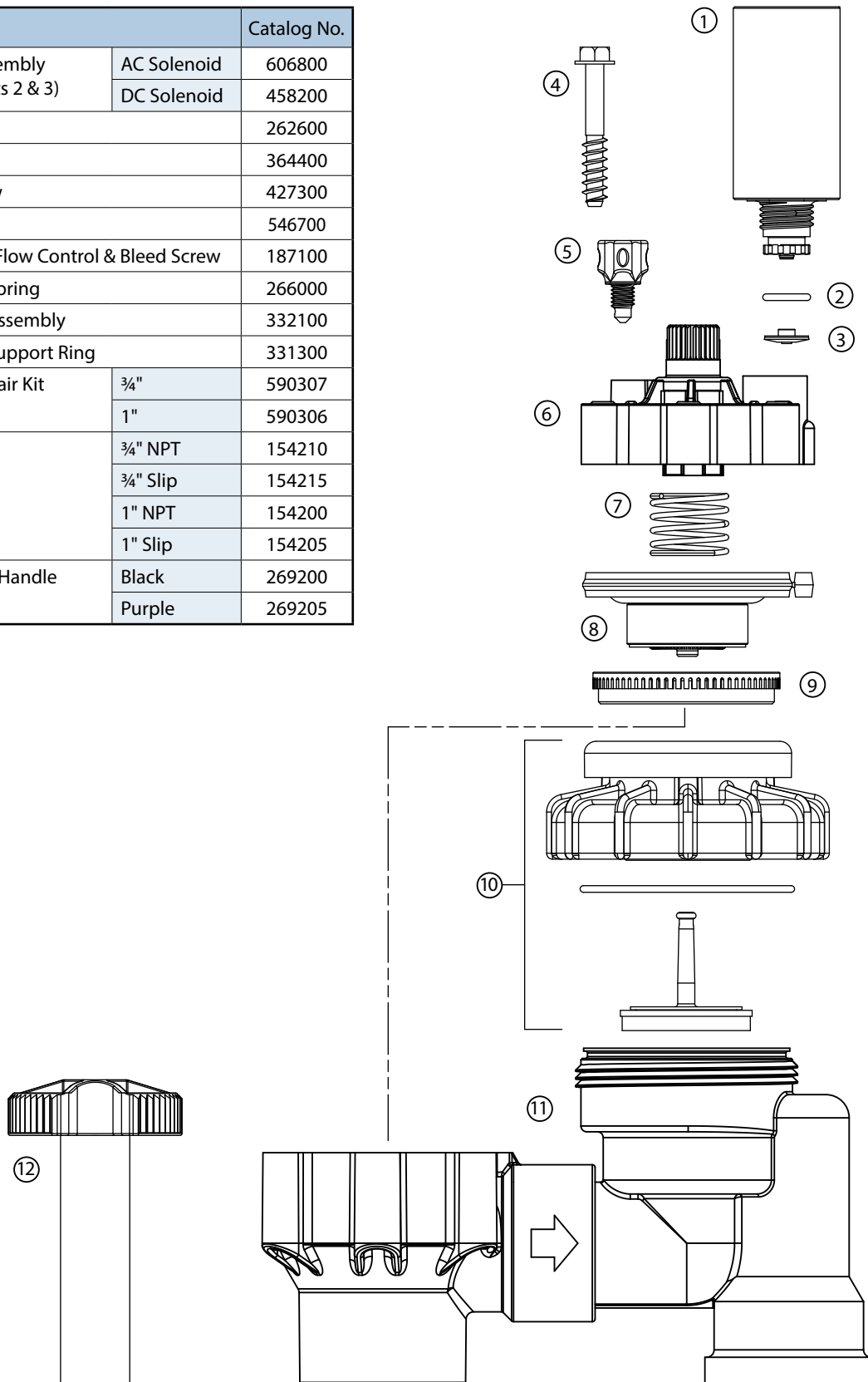
SRV: Plastic Valve

Item	Description		Catalog No.
①	Solenoid Assembly (Includes Parts 2 & 3)	AC Solenoid	606800
		DC Solenoid	458200
②	O-Ring		262600
③	Solenoid Seal		364400
④	Bonnet Screw		427300
⑤	Bonnet without Flow Control		556100
⑥	Bonnet with Flow Control		556000
⑦	Diaphragm Spring		266000
⑧	Diaphragm Assembly		332100
⑨	Diaphragm Support Ring		331300
⑪	Body	NPT Thread	457700
		BSP Thread	457705
		Slip	457710
	Flow Control Handle	Black	269200
		Purple	269205



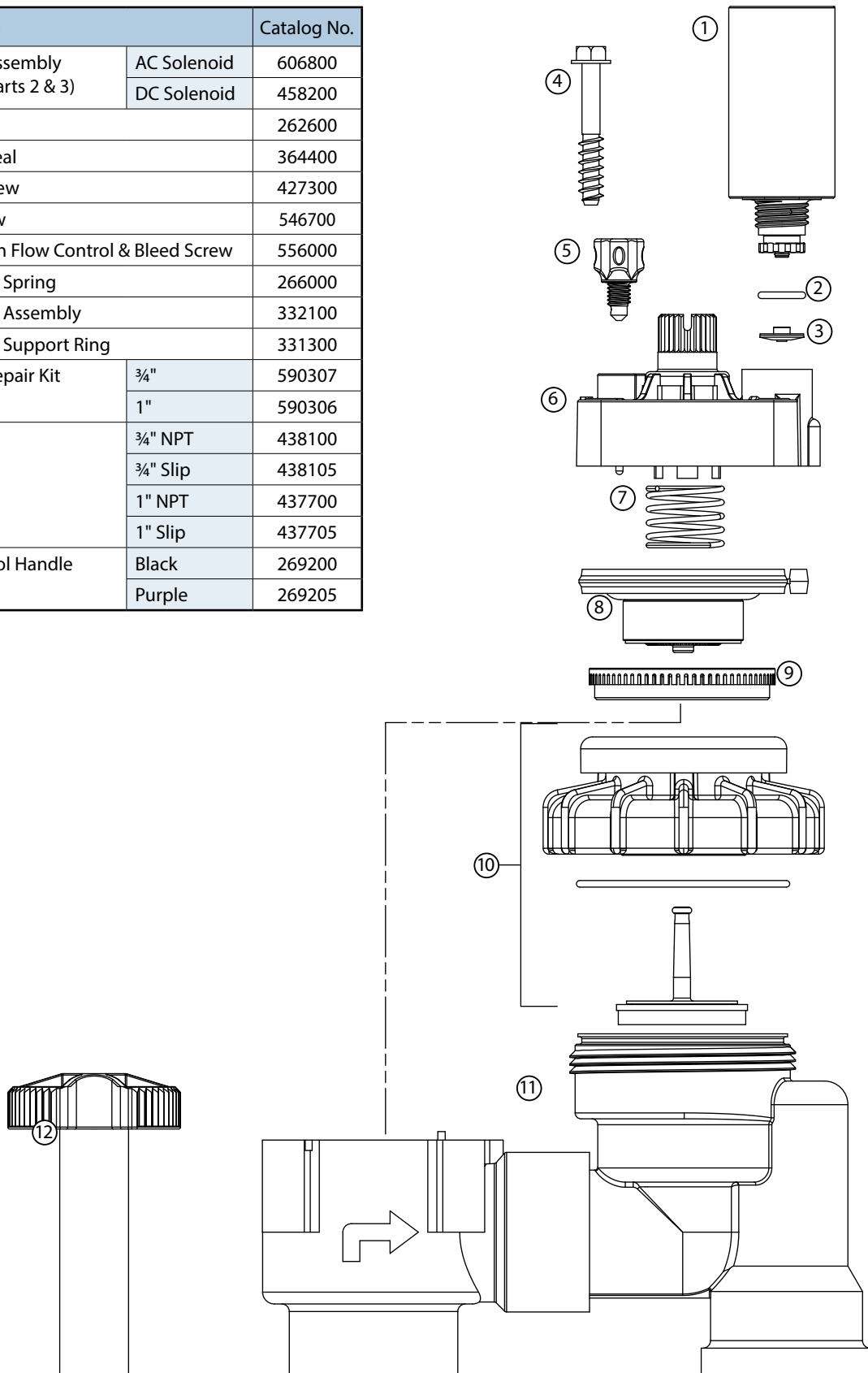
PGV-ASV: Plastic Valve (6-Bolt Bonnet Design)

Item	Description	Catalog No.	
①	Solenoid Assembly (Includes Parts 2 & 3)	AC Solenoid	606800
		DC Solenoid	458200
②	O-Ring	262600	
③	Solenoid Seal	364400	
④	Bonnet Screw	427300	
⑤	Bleed Screw	546700	
⑥	Bonnet with Flow Control & Bleed Screw	187100	
⑦	Diaphragm Spring	266000	
⑧	Diaphragm Assembly	332100	
⑨	Diaphragm Support Ring	331300	
⑩	AVB/ASV Repair Kit	¾"	590307
		1"	590306
⑪	Body	¾" NPT	154210
		¾" Slip	154215
		1" NPT	154200
		1" Slip	154205
⑫	Flow Control Handle	Black	269200
		Purple	269205



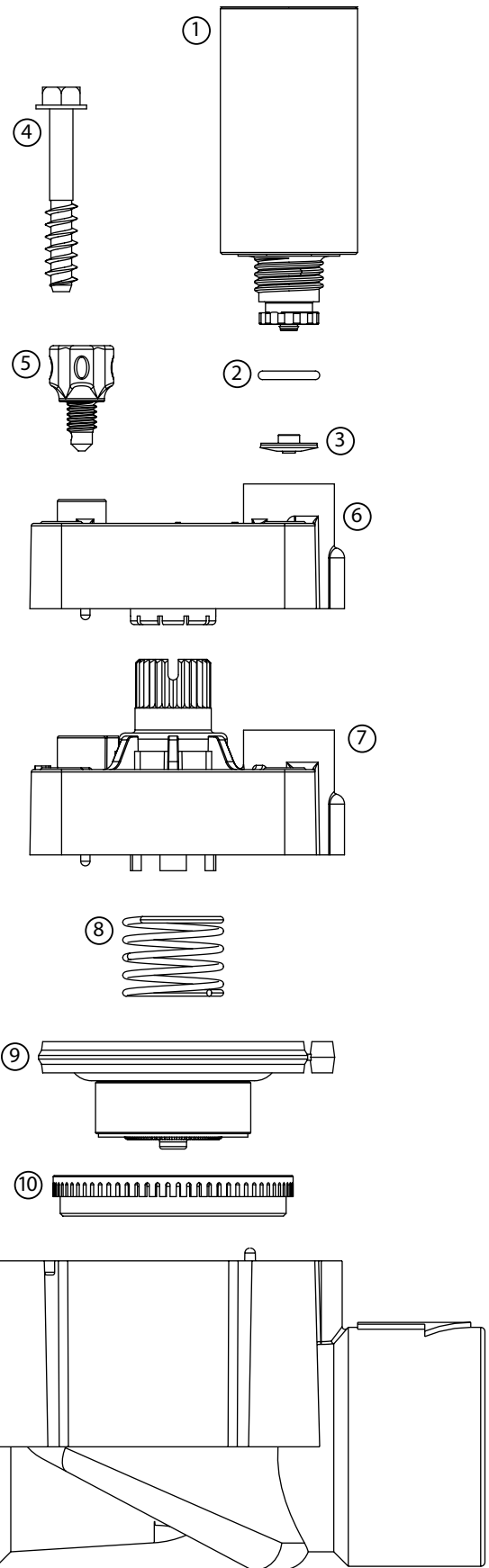
PRO-ASV: Plastic Valve: 4-Bolt Bonnet Design

Item	Description	Catalog No.	
①	Solenoid Assembly (Includes Parts 2 & 3)	AC Solenoid	606800
		DC Solenoid	458200
②	O-Ring	262600	
③	Solenoid Seal	364400	
④	Bonnet Screw	427300	
⑤	Bleed Screw	546700	
⑥	Bonnet with Flow Control & Bleed Screw	556000	
⑦	Diaphragm Spring	266000	
⑧	Diaphragm Assembly	332100	
⑨	Diaphragm Support Ring	331300	
⑩	AVB/ASV Repair Kit	¾"	590307
		1"	590306
⑪	Body	¾" NPT	438100
		¾" Slip	438105
		1" NPT	437700
		1" Slip	437705
		Flow Control Handle	Black
		Purple	269205



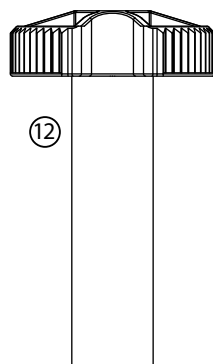
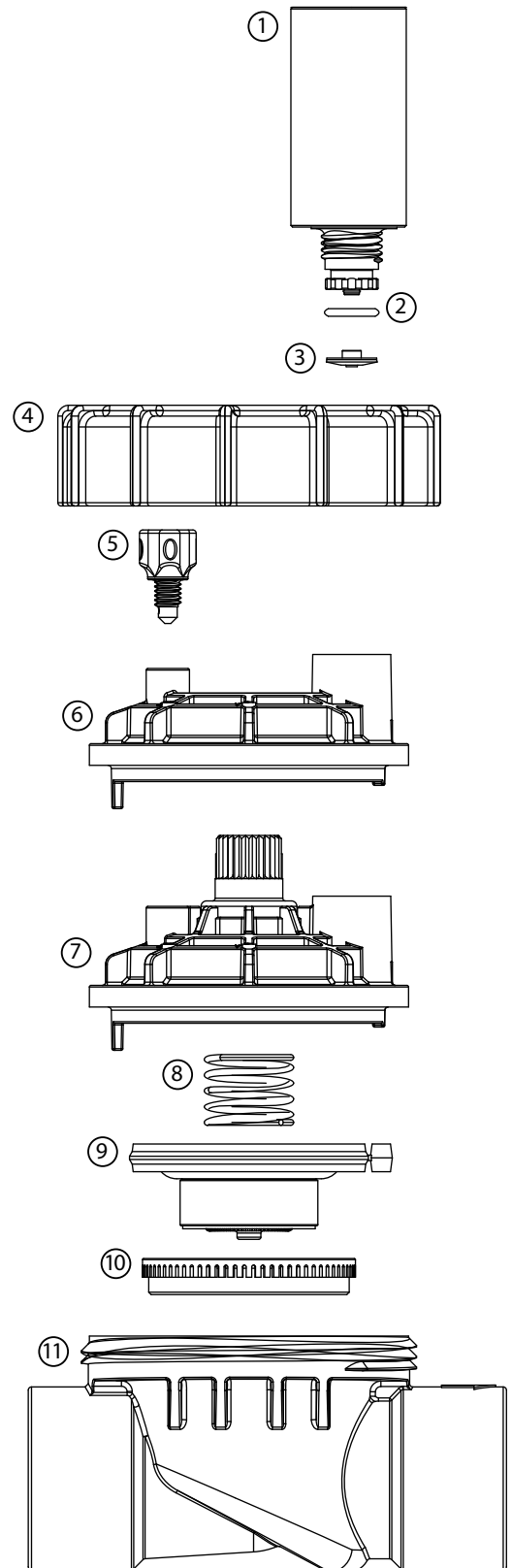
PGV-100G/101G: Plastic Valves

Item	Description	Catalog No.	
①	Solenoid Assembly (Includes Parts 2 & 3)	AC Solenoid	606800
		DC Solenoid	458200
②	O-Ring	262600	
③	Solenoid Seal	364400	
④	Bonnet Screw	427300	
⑤	Bleed Screw	546700	
⑥	Bonnet without Flow Control with Bleed Screw	556100	
⑦	Bonnet with Flow Control & Bleed Screw	556000	
⑧	Diaphragm Spring	266000	
⑨	Diaphragm Assembly	332100	
⑩	Diaphragm Support Ring	331300	
⑪	Body	Female, NPT Thread	457700
		Female, BSP Thread	457705
		Female, Slip x Slip	457710
		Male x Male, NPT	433400
		Male x Male, BSP	433405
		Male x Barb, NPT	460700
		Male x Barb, BSP	460705
		Male x Barb, 1¼"	604800
⑫	Flow Control Handle	Black	269200
		Purple	269205



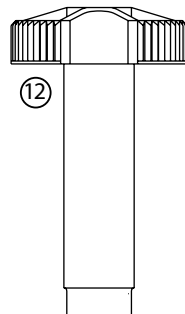
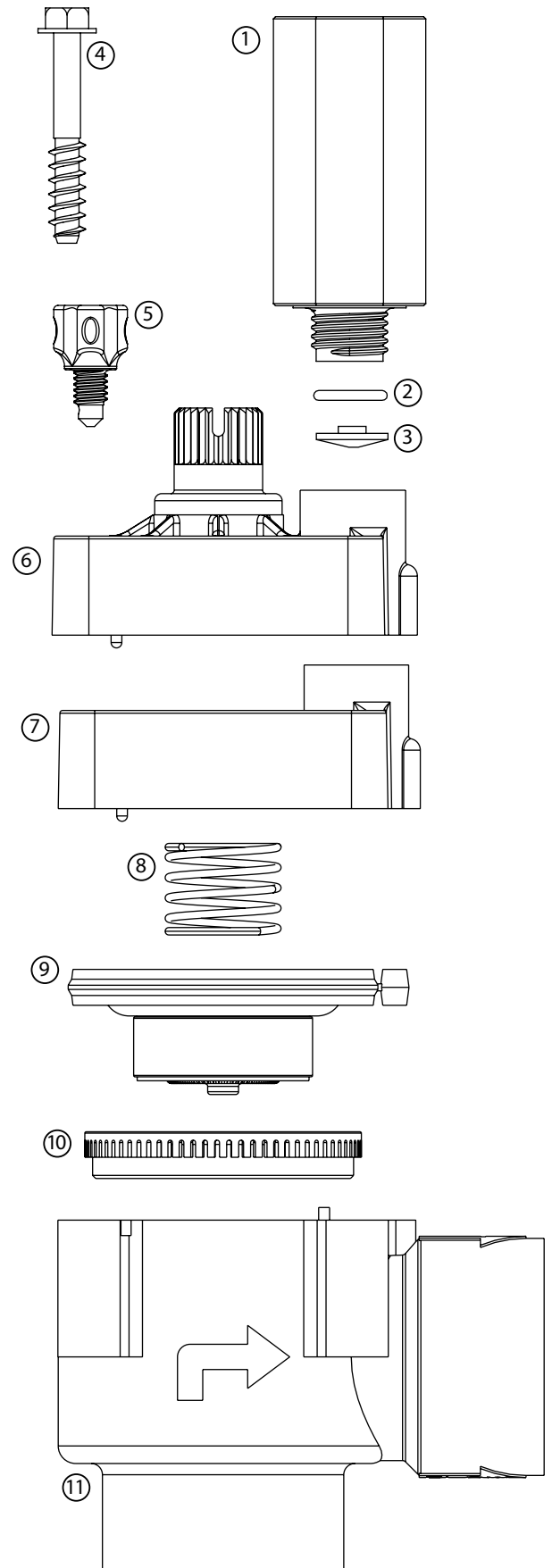
PGV Jar-Top: Plastic Valve

Item	Description	Catalog No.	
①	Solenoid Assembly (Includes Parts 2 & 3)	AC Solenoid	606800
		DC Solenoid	458200
②	O-Ring	262600	
③	Solenoid Seal	364400	
④	Bonnet Ring	476100	
⑤	Bleed Screw	546700	
⑥	Bonnet Assembly (No Flow Control)	476700	
⑦	Bonnet Assembly (With Flow Control)	476800	
⑧	Diaphragm Spring	266000	
⑨	Diaphragm Assembly	332100	
⑩	Diaphragm Support Ring	331300	
⑪	Body	Female NPT	476300
		Female Slip x Female Slip	476310
		MPT x MPT	476600
		Male x 3/4" Poly Barb	612200
		Male x 1" Poly Barb	476200
		Male x 1 1/4" Poly Barb	477300
		Female, BSP	476305
		Male x Male, BSP	476605
		Male x 1" Poly Barb, BSP	476205
⑫	Flow Control Handle	Black	269200
		Purple	269205



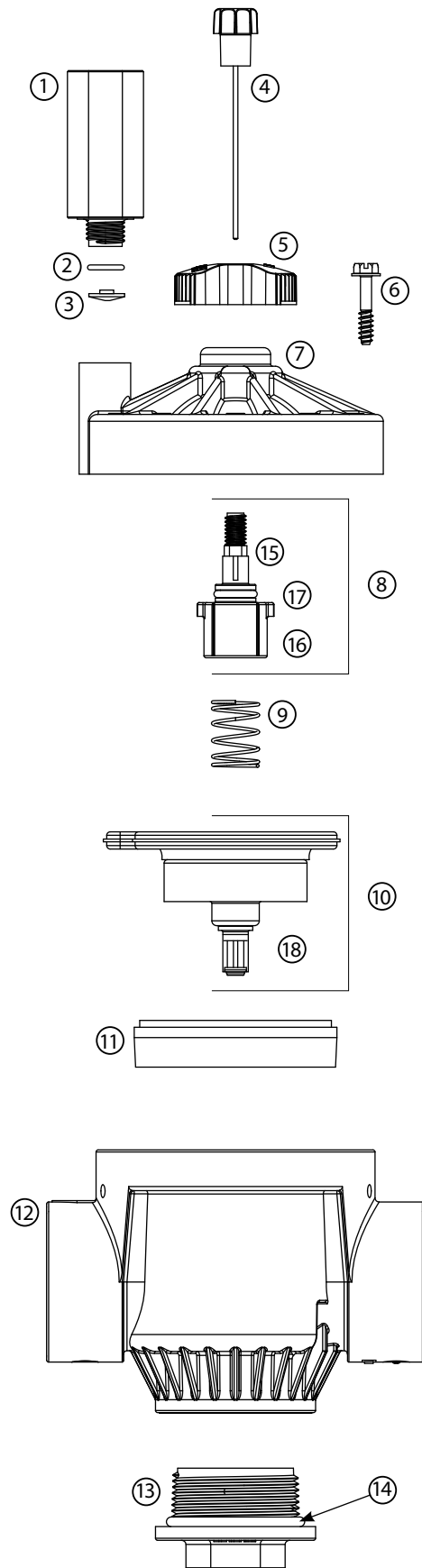
PGV-100A/101A: Plastic Valves

Item	Description	Catalog No.	
①	Solenoid Assembly (Includes Parts 2 & 3)	AC Solenoid	606800
		DC Solenoid	458200
②	O-Ring	262600	
③	Solenoid Seal	364400	
④	Bonnet Screw	427300	
⑤	Bleed Screw	546700	
⑥	Bonnet with Flow Control & Bleed Screw	556000	
⑦	Bonnet without Flow Control w/ Bleed Screw	556100	
⑧	Diaphragm Spring	266000	
⑨	Diaphragm Assembly	332100	
⑩	Diaphragm Support Ring	331300	
⑪	Body	407000	
⑫	Flow Control Handle	Black	269200
		Purple	269205



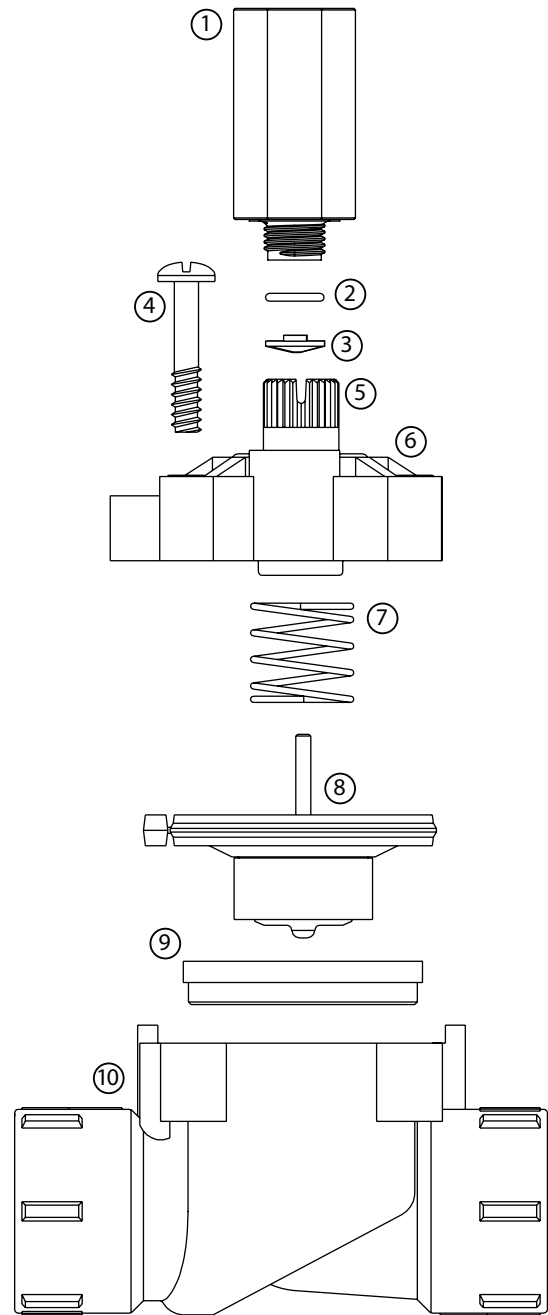
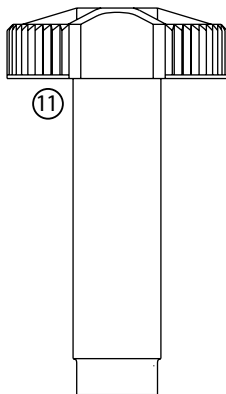
PGV-151G, 201G: Plastic Valves

Item	Description	Catalog No.	
①	Solenoid Assembly (Includes Parts 2 & 3)	AC Solenoid	606800
		DC Solenoid	458200
②	O-Ring	262600	
③	Solenoid Seal	364400	
④	Bleed Screw Assembly	1½"	427000
		2"	427100
⑤	Flow Control Handle	Black	607100
		Purple	607105
	Flow Control Handle old style (w/o bleed assembly)	Black	412700
		Purple	412705
⑥	Bonnet Screw	472800	
⑦	Bonnet	1½"	414000
		2"	415500
⑧	Flow Control Stem Assembly PGV-151 (include 15, 16, 17) PGV-201 (include 15, 16, 17)	1½"	421500
		2"	414600
⑨	Spring	1½"	412300
		2"	414200
⑩	Diaphragm Assembly PGV-151 (include 18) PGV-201 (include 18)	1½"	414100
		2"	415600
⑪	Diaphragm Support	1½"	413100
		2"	414800
⑫	Body	1½" NPT	433200
		1½" BSP	433205
		2" NPT	433300
		2" BSP	433305
⑬	Body Plug without O-Ring	1½" NPT	413800
		1½" BSP	413805
		2" NPT	415300
		2" BSP	415305
⑭	Plug O-Ring	1½"	413900
		2"	415400
⑮	Flow Control Stem	1½"	606900
		2"	607000
⑯	Flow Control Stem Nut	1½"	413000
		2"	414700
⑰	Flow Control Stem O-Ring	1½" & 2"	412900
⑱	Diaphragm Filter Screen	1½" & 2"	386600



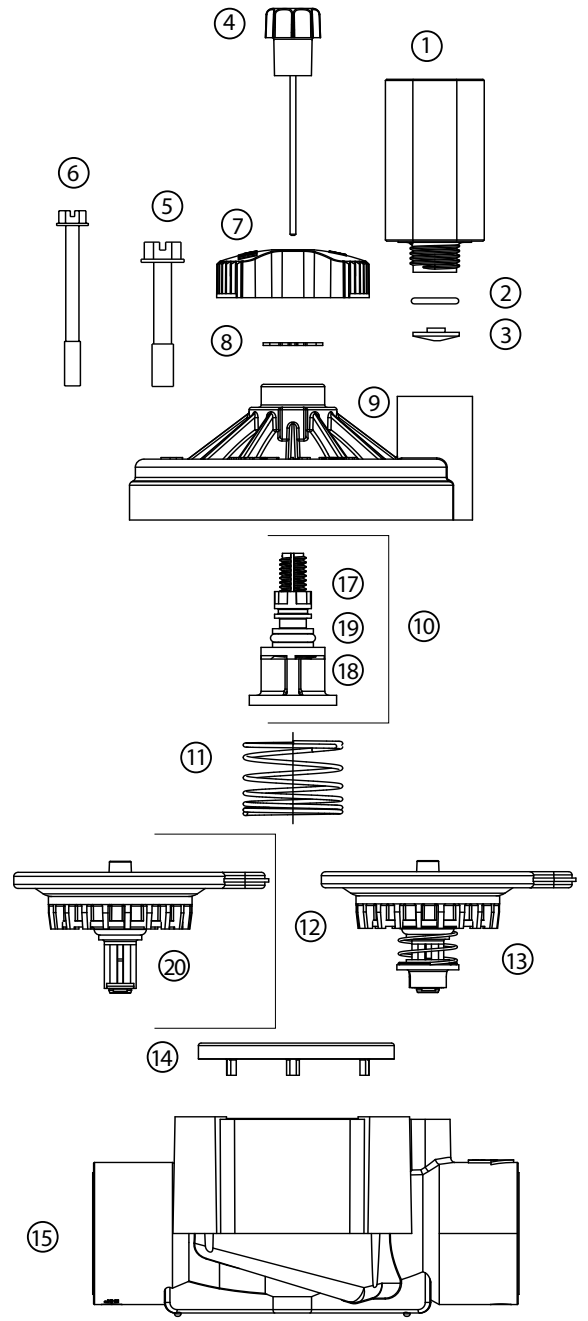
HPV: Plastic Valve

Item	Description	Catalog No.	
①	Solenoid Assembly (Includes Parts 2 & 3)	AC Solenoid	606800
		DC Solenoid	458200
②	O-Ring	262600	
③	Solenoid Seal	364400	
④	Bonnet Screw	266100	
⑤	Bonnet with Flow Control	266702	
⑥	Bonnet without Flow Control	266602	
⑦	Diaphragm Spring	266000	
⑧	Diaphragm Assembly	266902	
⑨	Diaphragm Support Ring	265000	
⑩	Body	Globe, NPT Thread	296605
		Globe, BSP Thread	296610
		Globe, Slip	296615
		Angle, NPT Thread (Not Shown)	339600
		Angle, BSP Thread (Not Shown)	339605
⑪	Flow Control Handle	Black	269200
		Purple	269205



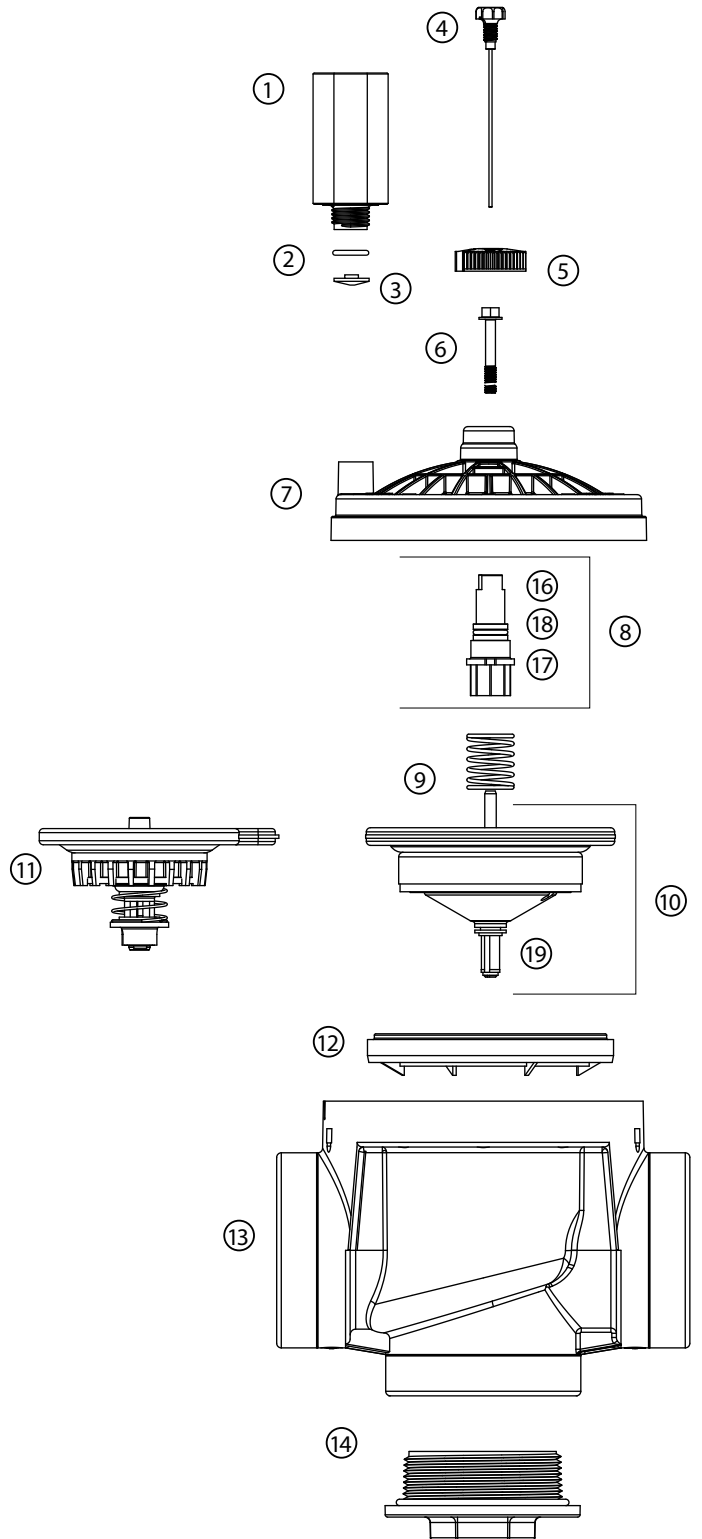
ICV-101G, 151G, 201G: Plastic Valves

Item	Description	Catalog No.
①	Solenoid Assembly	AC Solenoid 606800
	(Includes Parts 2 & 3)	DC Solenoid 458200
②	O-Ring	262600
③	Solenoid Seal	364400
④	Bleed Assembly	1" 561400
		1½" & 2" 561500
⑤	Bonnet Bolt	1" 386900
		1½" & 2" 366700
⑥	Flow Control Handle	Black 561200
		Purple 561205
⑦	Flow Control Handle (Previous style)	Black 385900
		Purple 385905
⑧	E-Clip Retainer	1" 387200
		1½" & 2" 371600
⑨	Bonnet	1" 387700
		1½" & 2" 380600
⑩	Flow Control Stem Assembly (incl 17,18,19)	1" 387900
		1½" & 2" 374600
⑪	Spring	1" 386700
		1½" & 2" 365400
⑫	Diaphragm Assembly – Standard (incl 20)	1" 387800
		1½" & 2" 460026
⑬	Diaphragm Assembly with Filter Sentry Mechanism	1" 461503
		1½" & 2" 460027
⑭	Diaphragm Support Ring	1" 711900
		1½" & 2" 365900
⑮	Body	1" NPT 387600
		1" BSP 387605
		1½" NPT 384800
		1½" BSP 374805
		2" NPT 374400
		2" BSP 365505
⑯	Filter Sentry/Reclaimed (Purple) Tag (not shown)	700392
⑰	Flow Control Stem	1" 560900
		1½" & 2" 560800
⑱	Flow Control Stem Nut	1" 386000
		1½" & 2" 366200
⑲	Flow Control Stem O-Ring	1" 387100
		1½" & 2" 412900
⑳	Diaphragm Filter Screen	1" 386600
		1½" & 2" 365200



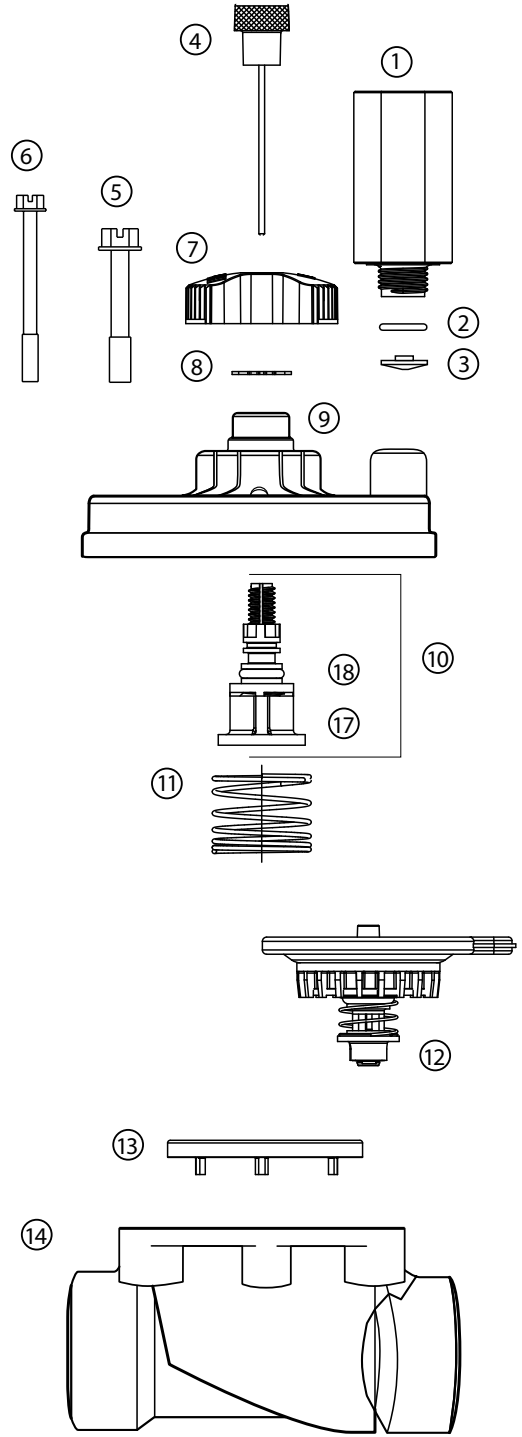
ICV-301: Plastic Valve

Item	Description	Catalog No.	
①	Solenoid Assembly (Includes Parts 2 & 3)	AC Solenoid	606800
		DC Solenoid	458200
②	O-Ring	262600	
③	Solenoid Seal	364400	
④	Bleed Assembly	518800	
⑤	Flow Control Knob	Black	515000
		Purple	515005
⑥	Bonnet Bolt	386900	
⑦	Bonnet Assembly	519100	
⑧	Flow Control Stem Assembly (incl 16, 17, 18)	516100	
⑨	Diaphragm Spring	518000	
⑩	Diaphragm Assembly	518900	
⑪	Filter Sentry Diaphragm Assembly	518905	
⑫	Diaphragm Support	NPT	514600
		BSP	514600
⑬	Body Assembly	NPT	514400
		BSP	514405
⑭	Port Plug Assembly including O-Ring	NPT	514900
		BSP	514905
⑮	Filter Sentry/Reclaimed (Purple) Tag (not shown)	700392	
⑯	Flow Control Stem	515200	
⑰	Flow Control Stem Nut	515800	
⑱	Flow Control Stem O-Ring	352800	
⑲	Diaphragm Filter Screen	365200	



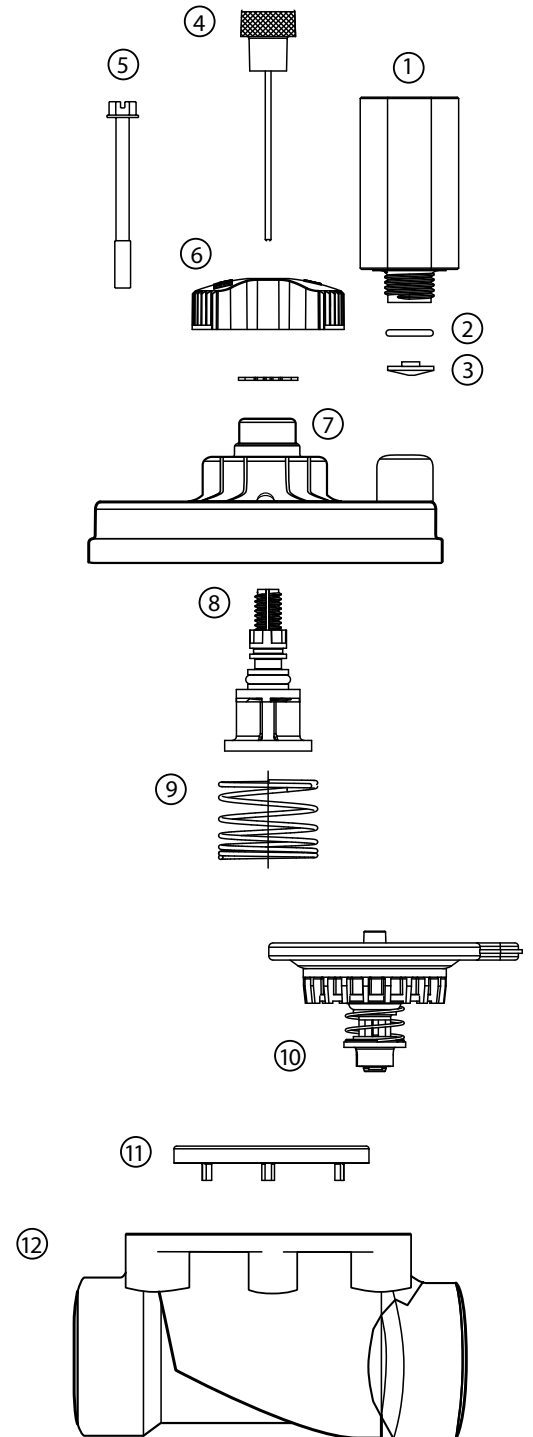
IBV-101G, 151G, 201G: Brass Valves

Item	Description	Catalog No.	
①	Solenoid Assembly (Includes Parts 2 & 3)	AC Solenoid	606800
		DC Solenoid	458200
②	O-Ring	262600	
③	Solenoid Seal	364400	
④	Bleed Assembly	1"	211100
		1½" & 2"	211200
⑤	Bonnet Bolt	1"	669000
		1½" & 2"	669000
⑦	Flow Control Handle	Brass	211400
⑧	E-Clip Retainer	1"	387200
		1½" & 2"	371600
⑨	Bonnet	1"	212000
		1½" & 2"	212200
⑩	Flow Control Stem Assembly (incl 17, 18, 19)	1"	662900
		1½" & 2"	663000
⑪	Spring	1"	386700
		1½" & 2"	365400
⑫	Diaphragm Assembly with Filter Sentry Mechanism	1"	461503
		1½" & 2"	402500
⑬	Diaphragm Support	1"	385700
		1½" & 2"	365900
⑭	Body	1" NPT	212400
		1" BSP	212405
		1½" NPT	212500
		1½" BSP	212505
		2" NPT	212600
		2" BSP	212605
⑮	Filter Sentry/Reclaimed (Purple) Tag (not shown)	700392	
⑯	Flow Control Stem	1"	662900
		1½" & 2"	663000
⑰	Flow Control Stem Nut	1"	386000
		1½" & 2"	323400
⑱	Flow Control Stem O-Ring	1"	387100
		1½" & 2"	412900

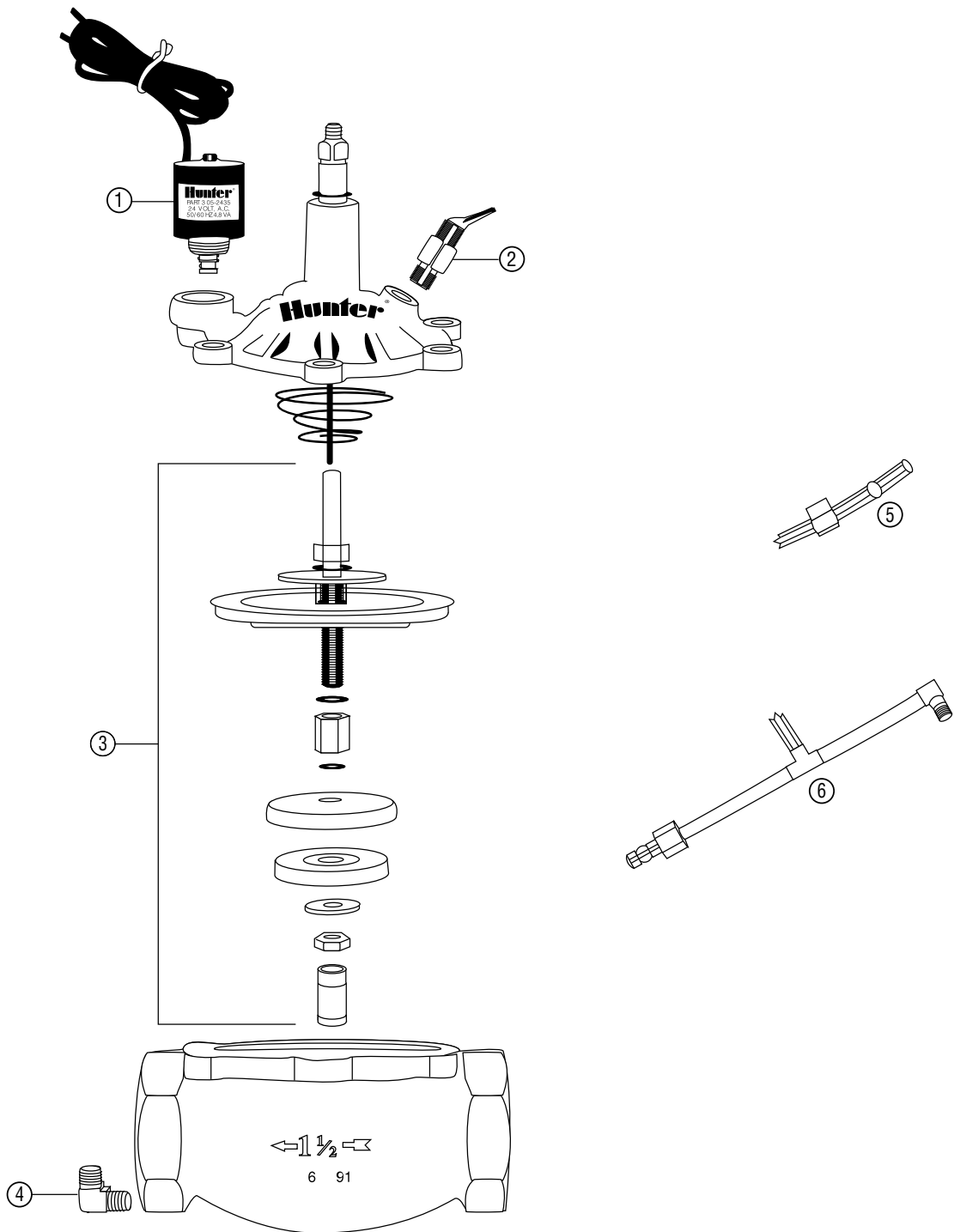


IBV-301G: Brass Valves

Item	Description	Catalog No.	
①	Solenoid Assembly (Includes Parts 2 & 3)	AC Solenoid	606800
		DC Solenoid	458200
②	O-Ring	262600	
③	Solenoid Seal	364400	
④	Bleed Assembly (3" Model)	211300	
⑤	Bonnet Bolt (3" Model)	669000	
⑥	Flow Control Handle	Brass	211400
⑦	Bonnet Assembly	3"	212300
⑧	Flow Control Stem	3"	665600
⑨	Spring	1"	518000
⑩	Diaphragm Assembly with Filter Sentry Mechanism	3"	518905
⑪	Diaphragm Support	3"	514600
⑫	Body	3" NPT	212800
		3" BSP	212805
⑬	Filter Sentry/Reclaimed (Purple) Tag (not shown)	700392	



HBV: Brass Valve

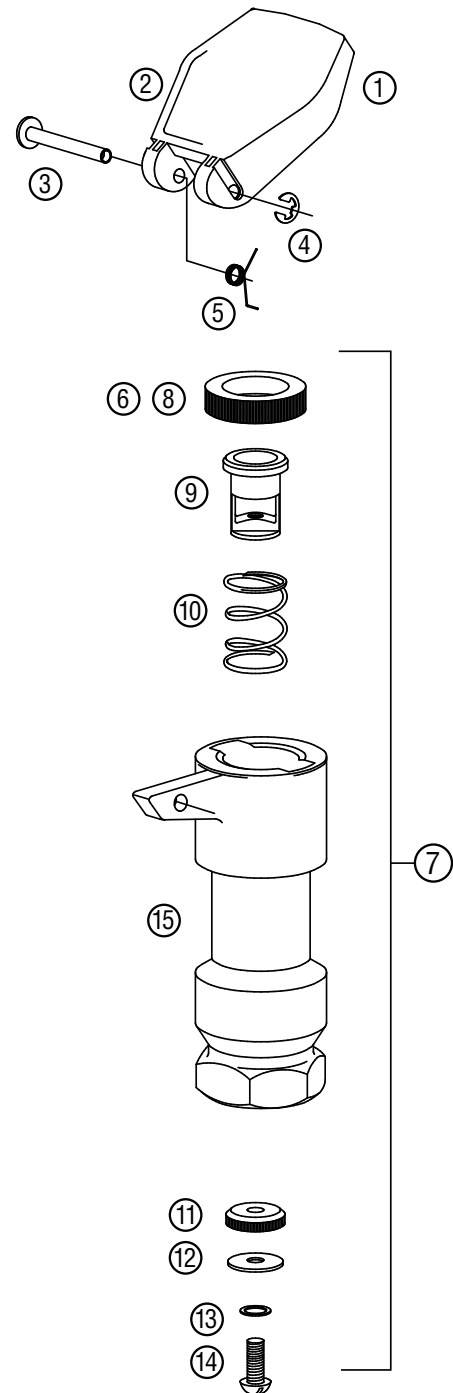


HBV: Brass Valve

Item	Description	1" Model	1½" Model	2" Model	3" Model
①	Solenoid-2 Watt Standard w/Plunger	S16304	S16304	S16304	S16304
②	Manual Toggle Valve with Fitting	S16542	S16542	S16542	S16542
③	Diaphragm Assembly	S16212-L	S16214-L	S16215-L	S16216-L
④	L-Fitting	S16500	S16500	S16500	S16500
⑤	Exterior Tubing w/ Brass Insert (Standard Valves)	S16499	S16498	S16498	S16498
⑥	Exterior Tubing, PR Valves	S16513	S16514	S16514	S16515

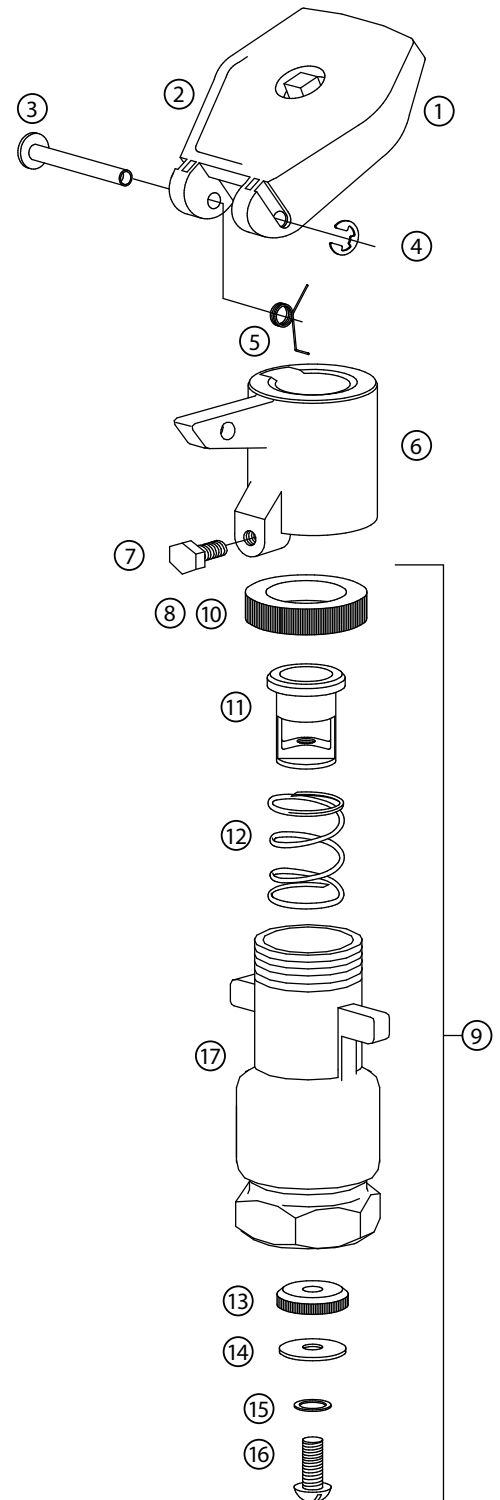
HQ3RC: Quick Coupler Valve

Item	Description	Catalog No.
①	Cover Kit - Yellow Non-Locking (Includes items 2-5)	150700
②	Cover - Yellow Non-Locking (Use item #1 above)	N/A
③	Hinge Pin - (Use 7/32" x 2" stainless steel bolt)	N/A
④	Retainer - Hinge Pin (Use 7/32" stainless steel nylock nut)	N/A
⑤	Spring - Cover Retraction (Use item #1 above)	N/A
⑥	Seal Kit - Upper (Includes 25 each item #8)	103600
⑦	Seal Kit - Complete (Includes items 8-14)	149500
⑧	Upper Seal (Use item 6 or 7 above)	N/A
⑨	Plunger (Use item 7 above)	N/A
⑩	Spring (Use item 7 above)	N/A
⑪	Seat (Use item 7 above)	N/A
⑫	Washer - Stainless steel (Use item 7 above)	N/A
⑬	Washer - Fiber (Use item 7 above)	N/A
⑭	Screw - Stainless steel (Use item 7 above)	N/A
⑮	Body - Brass (Use new quick coupler, eg: HQ3RC)	N/A



HQ33RC, HQ33LRC, HQ33LRCR: Quick Coupler Valve

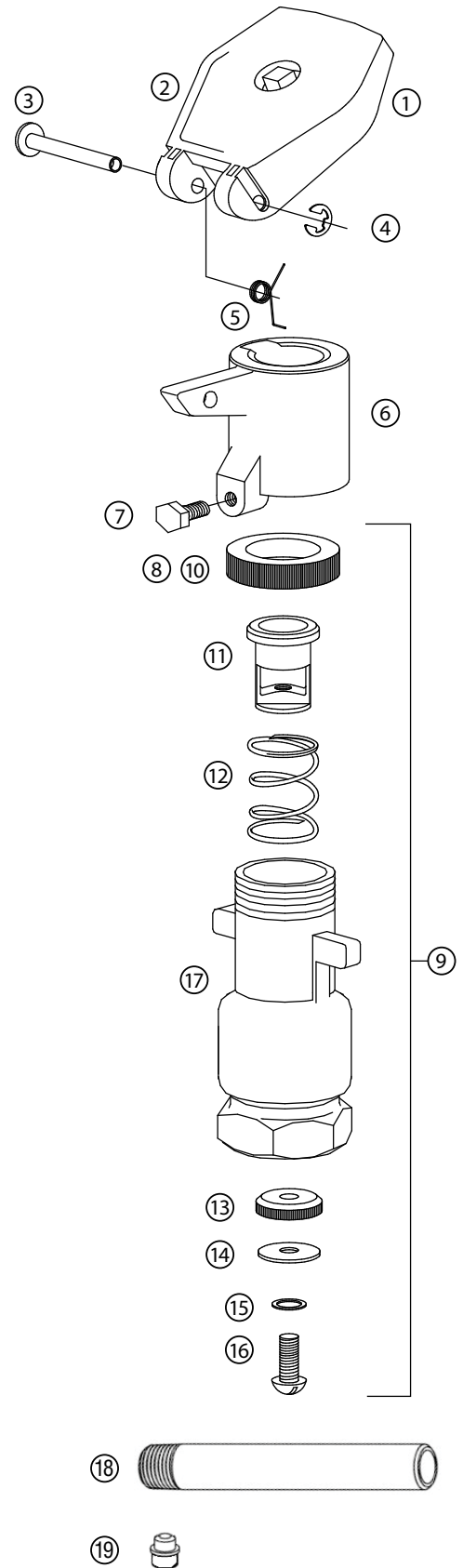
Item	Description	Catalog No.
①	Cover Kit - Yellow Non-Locking (Includes items 2–5)	150700
	Cover Kit - Yellow Locking (Includes items 2–5)	158300
	Cover Kit - Purple Locking (Includes items 2–5)	168000
②	Cover - Yellow Non-Locking (Use item #1 above)	N/A
	Cover - Yellow Locking (Use item #1 above)	N/A
	Cover - Purple Locking (Use item #1 above)	N/A
③	Hinge Pin (Use 7/32" x 2" stainless steel bolt)	N/A
④	Retainer - Hinge Pin (Use 7/32" x 2" stainless steel nylock bolt)	N/A
⑤	Spring - Cover Retraction (Use item #1 above)	N/A
⑥	Upper Body Kit - Brass (Includes items 6–7)	169500
⑦	Lock Bolt - Stainless Steel (Use 1/4" x 1")	N/A
⑧	Seal Kit - Upper (Includes 25 each item #10)	168100
⑨	Seal Kit - Complete (Includes items 10–16)	168200
⑩	Upper Seal - (Use item 8 or 9 above)	N/A
⑪	Plunger - (Use item 9 above)	N/A
⑫	Spring - (Use item 9 above)	N/A
⑬	Seat - (Use item 9 above)	N/A
⑭	Washer - Stainless Steel (Use item 9 above)	N/A
⑮	Washer - Fiber (Use item 9 above)	N/A
⑯	Screw - Stainless Steel (Use item 9 above)	N/A
⑰	Body - Brass (Use new quick coupler, e.g: HQ33LRC)	N/A



HQ44RC, HQ44LRC, HQ44LRCR: Quick Coupler Valve

Item	Description	Catalog No.
①	Cover Kit - Yellow Non-Locking (Includes items 2-5)	168300
	Cover Kit - Yellow Locking (Includes items 2-5)	168400
	Cover Kit - Purple Locking (Includes items 2-5)	168500
②	Cover - Yellow Non-Locking (Use item #1 above)	N/A
	Cover - Yellow Locking (Use item #1 above)	N/A
	Cover - Purple Locking (Use item #1 above)	N/A
③	Hinge Pin (Use 7/32" x 2" stainless steel bolt)	N/A
④	Retainer - Hinge Pin (Use 7/32" x 2" stainless steel nylock bolt)	N/A
⑤	Spring - Cover Retraction (Use item #1 above)	N/A
⑥	Upper Body Kit - Brass (Includes items 6-7)	169600
⑦	Lock Bolt - (Use 1/4" x 1" stainless steel)	N/A
⑧	Seal Kit - Upper (Includes 25 each item #10)	168600
⑨	Seal Kit - Complete (Includes items 10-16)	168700
⑩	Upper Seal - (Use item 8 or 9 above)	N/A
⑪	Plunger - (Use item 9 above)	N/A
⑫	Spring - (Use item 9 above)	N/A
⑬	Seat - (Use item 9 above)	N/A
⑭	Washer - Stainless Steel (Use item 9 above)	N/A
⑮	Washer - Fiber (Use item 9 above)	N/A
⑯	Screw - Stainless Steel (Use item 9 above)	N/A
⑰	Body - Brass (Use new quick coupler, e.g: HQ33LRC)	N/A

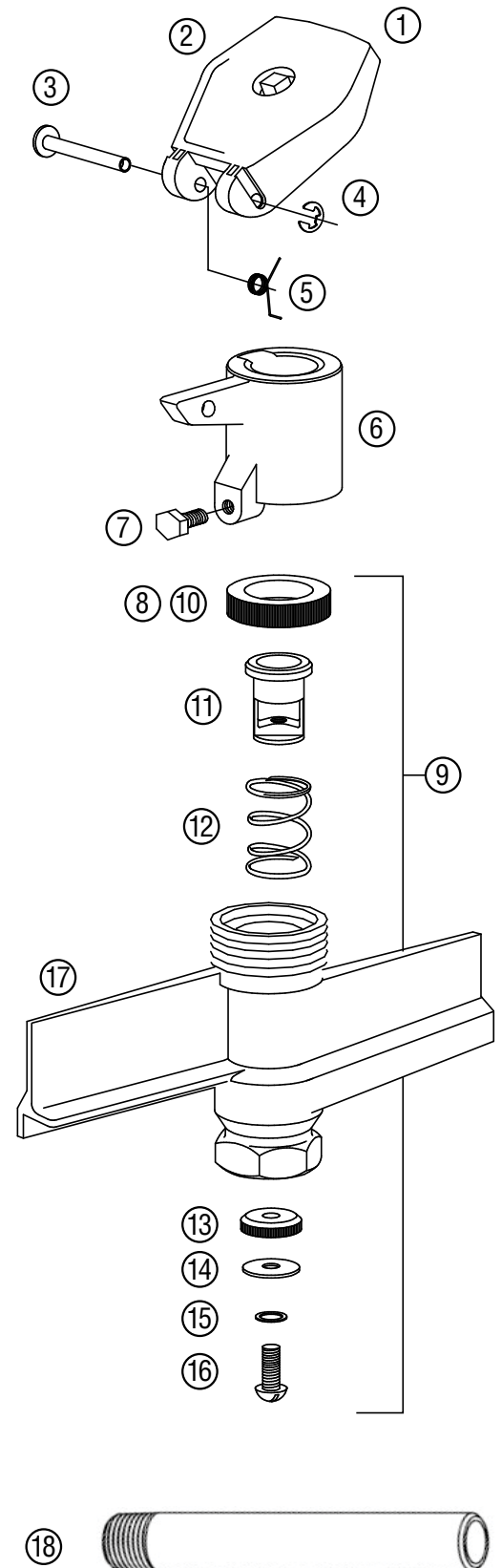
Item	Description	Catalog No.
⑱	Handle Kit - for HK44 Key (includes 10 handles)	169200
⑲	Lug Kit - for HK44 Key (includes 10 each item #19)	169400



HQ44RCAW, HQ44LRCAW, HQ44LRCAWR: Quick Coupler Valve

Item	Description	Catalog No.
①	Cover Kit - Yellow Non-Locking (Includes items 2–5)	168300
	Cover Kit - Yellow Locking (Includes items 2–5)	168400
	Cover Kit - Purple Locking (Includes items 2–5)	168500
②	Cover - Yellow Non-Locking (Use item #1 above)	N/A
	Cover - Yellow Locking (Use item #1 above)	N/A
	Cover - Purple Locking (Use item #1 above)	N/A
③	Hinge Pin (Use 7/32" x 2" stainless steel bolt)	N/A
④	Retainer - Hinge Pin (Use 7/32" x 2" stainless steel nylock bolt)	N/A
⑤	Spring - Cover Retraction (Use item #1 above)	N/A
⑥	Upper Body Kit - Brass (Includes items 6–7)	169700
⑦	Lock Bolt (Use 1/4" x 1" stainless steel)	N/A
⑧	Seal Kit - Upper (Includes 25 each item #10)	168600
⑨	Seal Kit - Complete (Includes items 10–16)	168700
⑩	Upper Seal - (Use item 8 or 9 above)	N/A
⑪	Plunger - (Use item 9 above)	N/A
⑫	Spring - (Use item 9 above)	N/A
⑬	Seat - (Use item 9 above)	N/A
⑭	Washer - Stainless Steel (Use item 9 above)	N/A
⑮	Washer - Fiber (Use item 9 above)	N/A
⑯	Screw - Stainless Steel (Use item 9 above)	N/A
⑰	Body - Brass (Use new quick coupler e.g: HQ44RCAW)	N/A

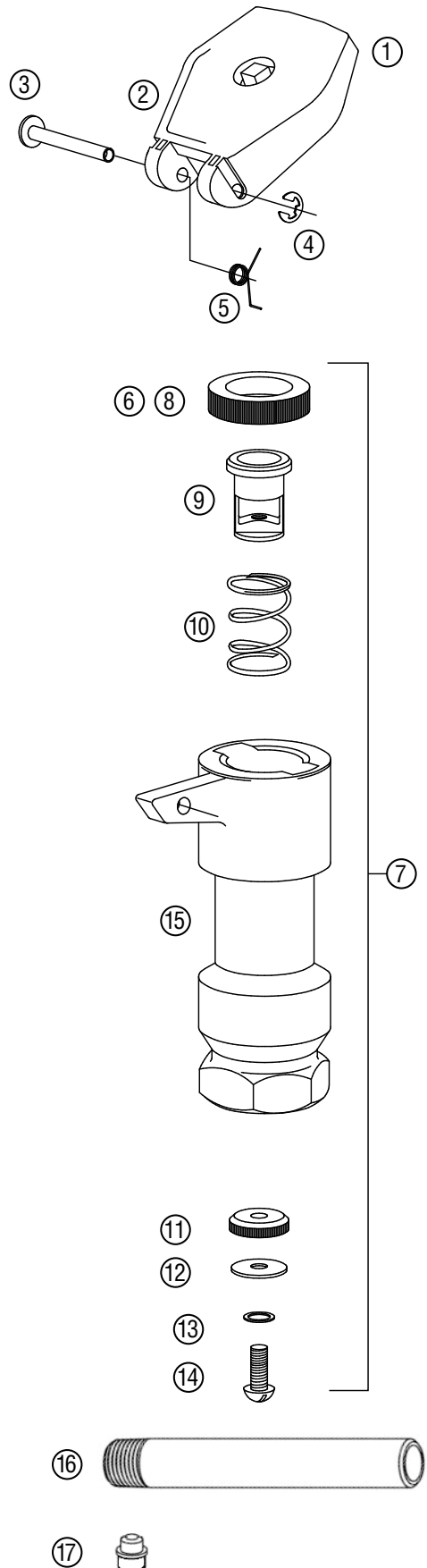
Item	Description	Catalog No.
⑱	Handle Kit - for HK44 Key (Includes 10 handles)	169200



HQ5RC, HQ5LRC, HQ5LRCR: Quick Coupler Valve

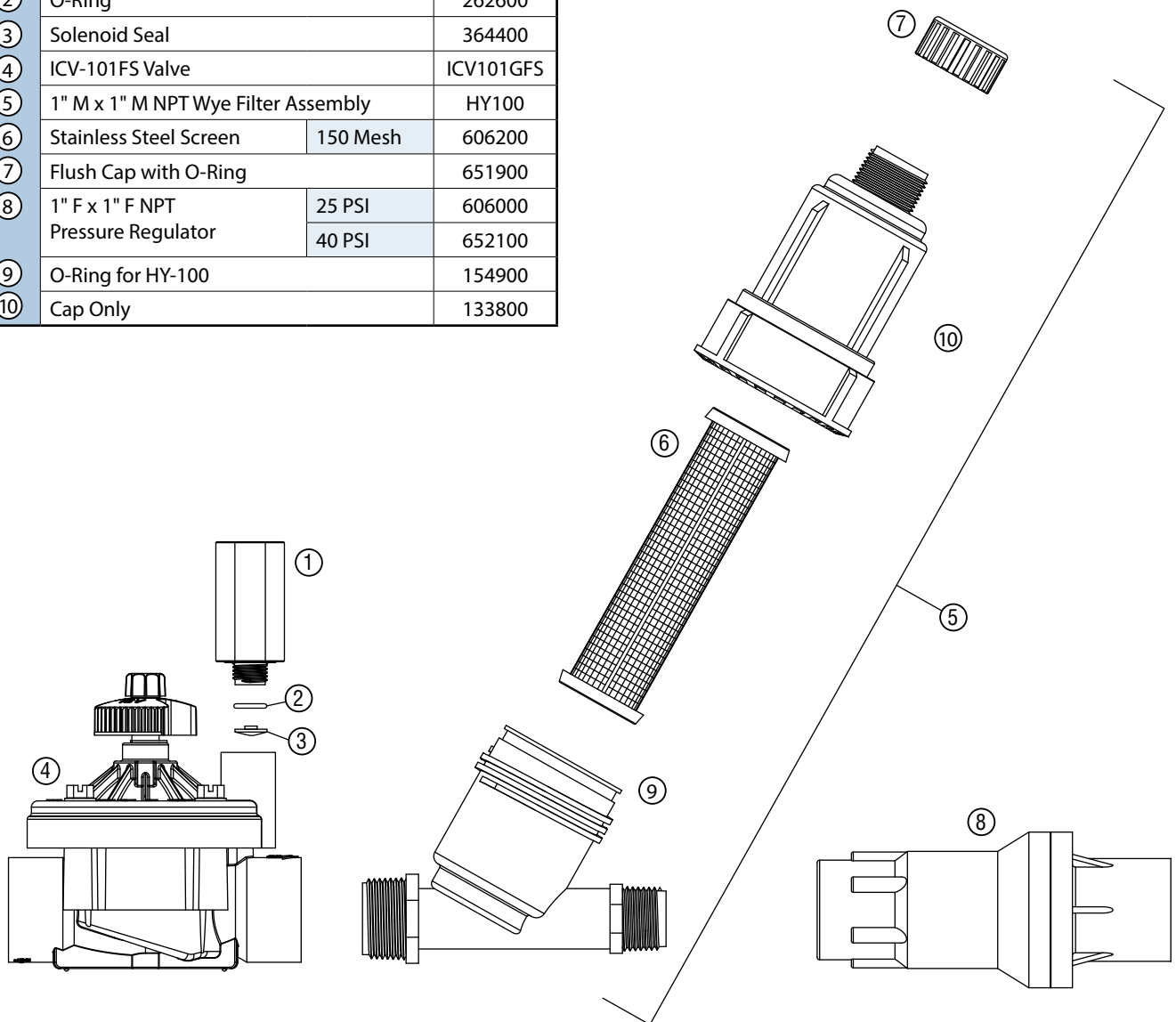
Item	Description	Catalog No.
①	Cover Kit - Yellow Non-Locking (Includes items 2-5)	168300
	Cover Kit - Yellow Locking (Includes items 2-5)	168800
	Cover Kit - Purple Locking (Includes items 2-5)	168900
②	Cover - Yellow Non-Locking (Use item #1 above)	N/A
	Cover - Yellow Locking (Use item #1 above)	N/A
	Cover - Purple Locking (Use item #1 above)	N/A
③	Hinge Pin (Use 7/32" x 2" stainless steel bolt)	N/A
④	Retainer - Hinge Pin (Use 7/32" x 2" stainless steel nylock bolt)	N/A
⑤	Spring - Cover Retraction (Use item #1 above)	N/A
⑥	Seal Kit - Upper (Includes 25 each item #8)	169000
⑦	Seal Kit - Complete (Includes items 8-14)	169100
⑧	Upper Seal - (Use item 6 or 7 above)	N/A
⑨	Plunger - (Use item 7 above)	N/A
⑩	Spring - (Use item 7 above)	N/A
⑪	Seat - (Use item 7 above)	N/A
⑫	Washer - Stainless Steel (Use item 7 above)	N/A
⑬	Washer - Fiber (Use item 7 above)	N/A
⑭	Screw - Stainless Steel (Use item 7 above)	N/A
⑮	Body - Brass (Use new quick coupler e.g: HQ5RC/HQ5RCB)	N/A

Item	Description	Catalog No.
⑯	Handle Kit - for HK55 Key (Includes 10 handles)	169300
⑰	Lug Kit - for HK55 Key (Includes 10 each item #17)	169400



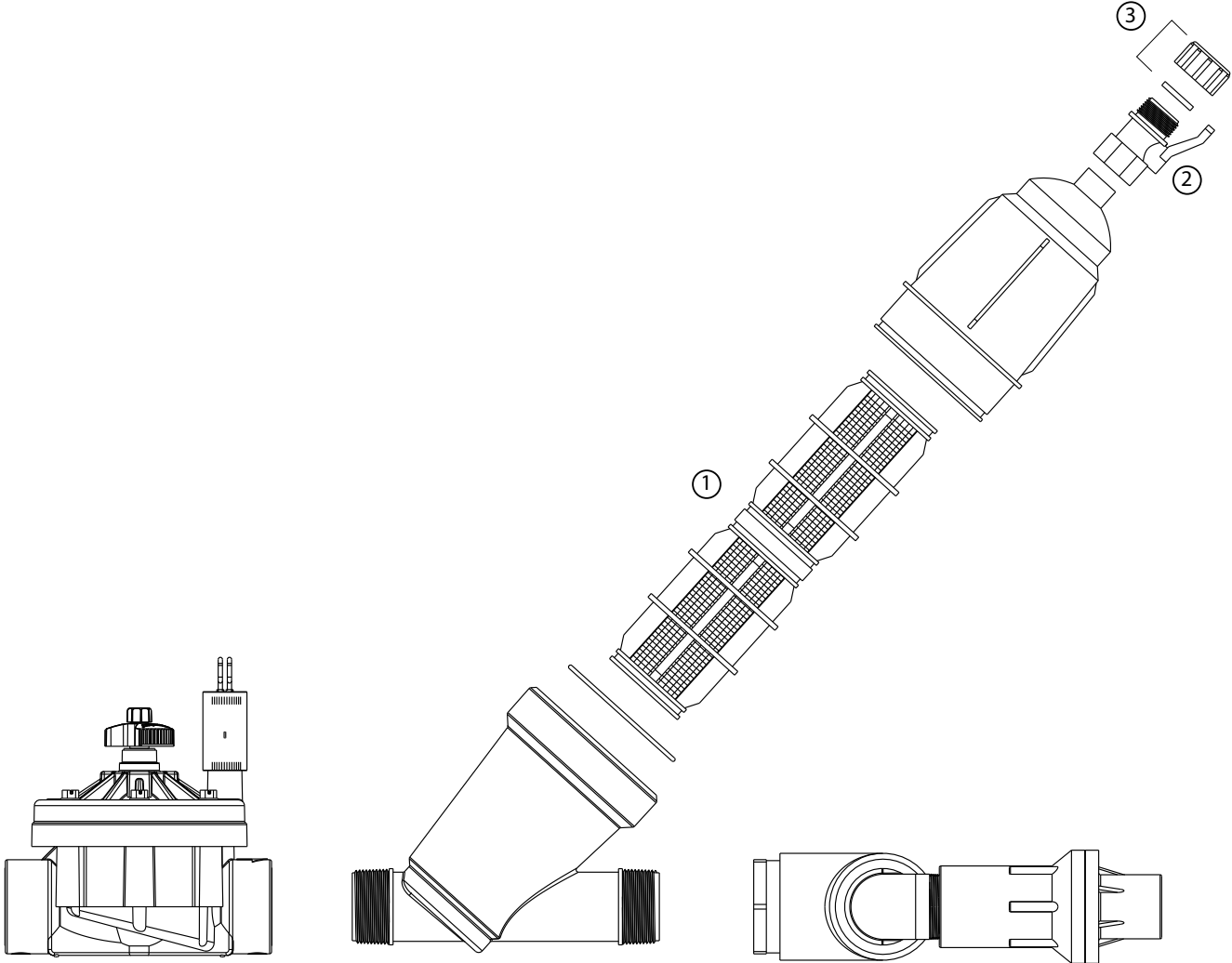
ICZ-101: Drip Control Zone Kit

Item	Description		Catalog No.
①	Solenoid Assembly (Includes parts 2 & 3)	AC Solenoid	606800
		DC Solenoid	458200
②	O-Ring		262600
③	Solenoid Seal		364400
④	ICV-101FS Valve		ICV101GFS
⑤	1" M x 1" M NPT Wye Filter Assembly		HY100
⑥	Stainless Steel Screen	150 Mesh	606200
⑦	Flush Cap with O-Ring		651900
⑧	1" F x 1" F NPT Pressure Regulator	25 PSI	606000
		40 PSI	652100
⑨	O-Ring for HY-100		154900
⑩	Cap Only		133800



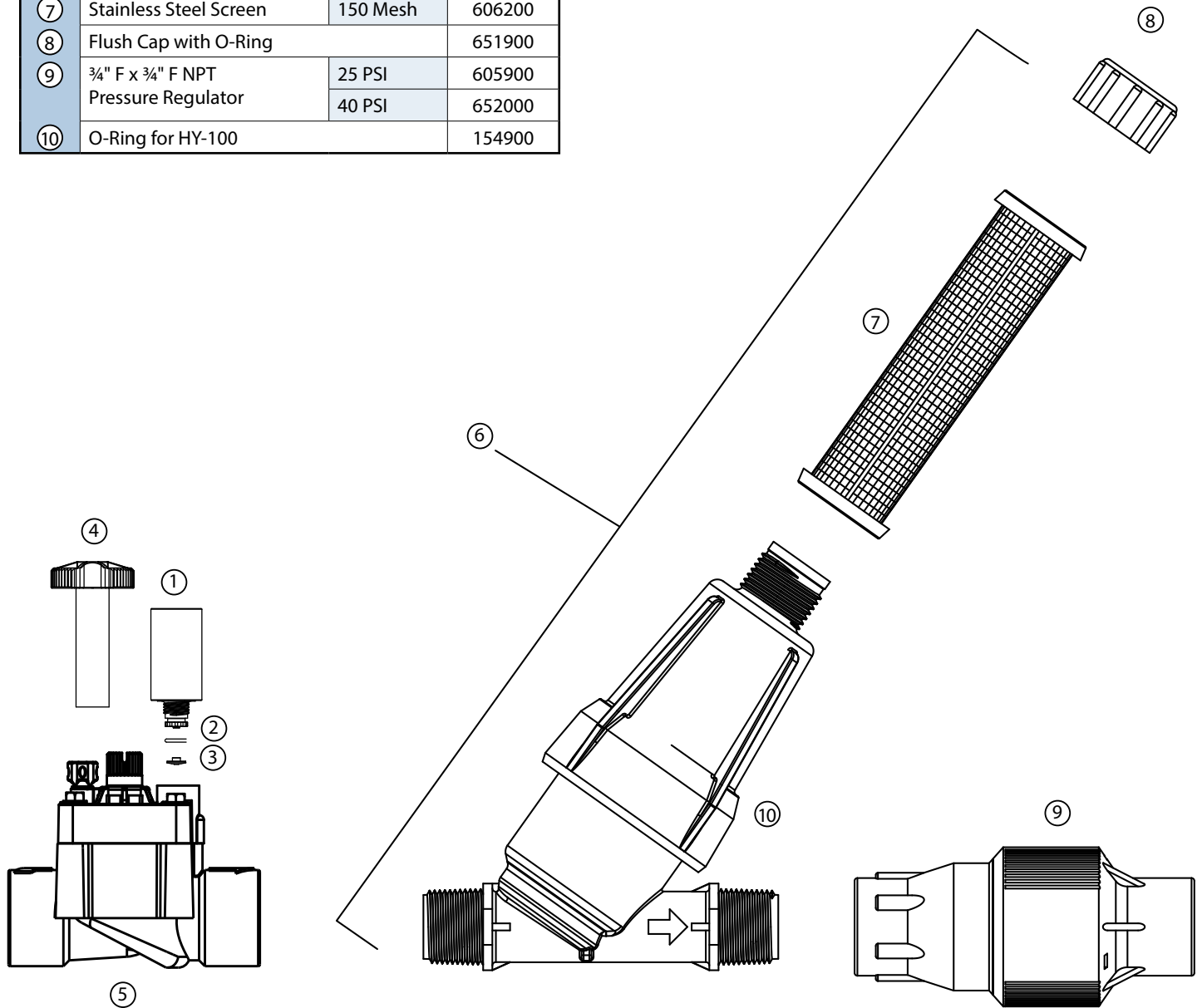
ICZ-151: Drip Zone Kit

Item	Description	Catalog No.
①	Filter Assy	TBD
②	Flush Valve	TBD
③	Flush Cap with O-Ring	651900



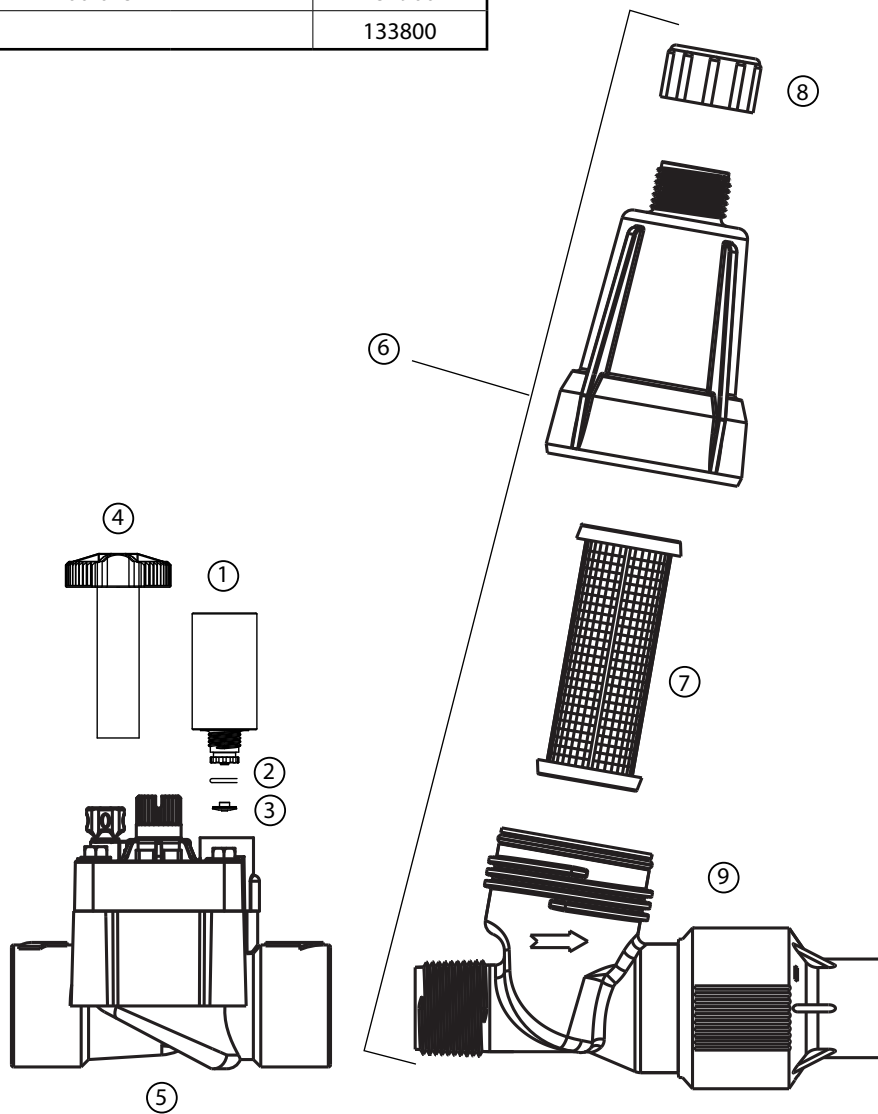
PCZ-101: Drip Zone Control Kit (Before January 2014)

Item	Description		Catalog No.
①	Solenoid Assembly (Includes parts 2 & 3)	AC Solenoid	606800
		DC Solenoid	458200
②	O-Ring		262600
③	Solenoid Seal		364400
④	Handle Flow Control	Black	269200
		Purple	269205
⑤	PGV101G Valve		PGV101G
⑥	1" M x 3/4" M NPT Wye Filter Assembly		HY10075
⑦	Stainless Steel Screen	150 Mesh	606200
⑧	Flush Cap with O-Ring		651900
⑨	3/4" F x 3/4" F NPT Pressure Regulator	25 PSI	605900
		40 PSI	652000
⑩	O-Ring for HY-100		154900



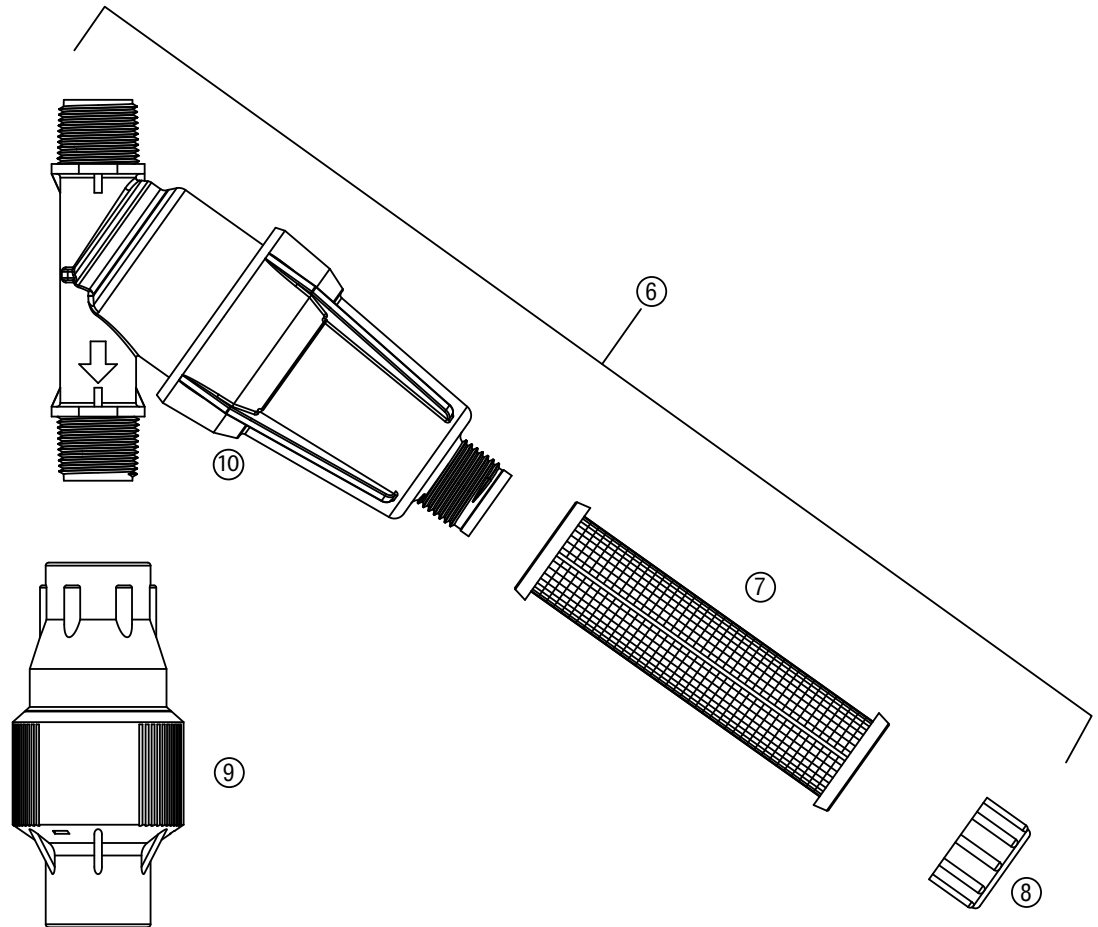
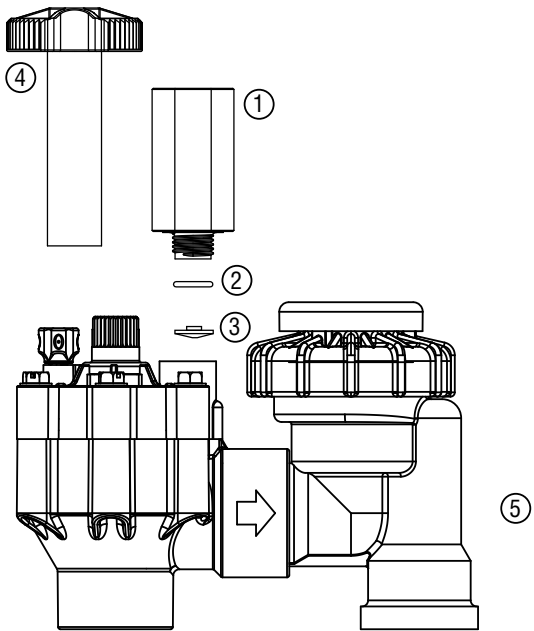
PCZ-101: Drip Zone Kit

Item	Description	Catalog No.	
①	Solenoid Assembly (Includes parts 2 & 3)	AC Solenoid	606800
		DC Solenoid	458200
②	O-Ring	262600	
③	Solenoid Seal	364400	
④	Handle Flow Control	Black	269200
		Purple	269205
⑤	PGV101G Valve	PGV101G	
⑥	Filter / Regulator Assembly	25 PSI	HFR-100-75-25
		40 PSI	HFR-100-75-40
⑦	Stainless Steel Screen - 150 Mesh	809300	
⑧	Flush Cap w/ O-Ring	651900	
⑨	O-Ring for HFR-100-075	154900	
⑩	Cap Only	133800	



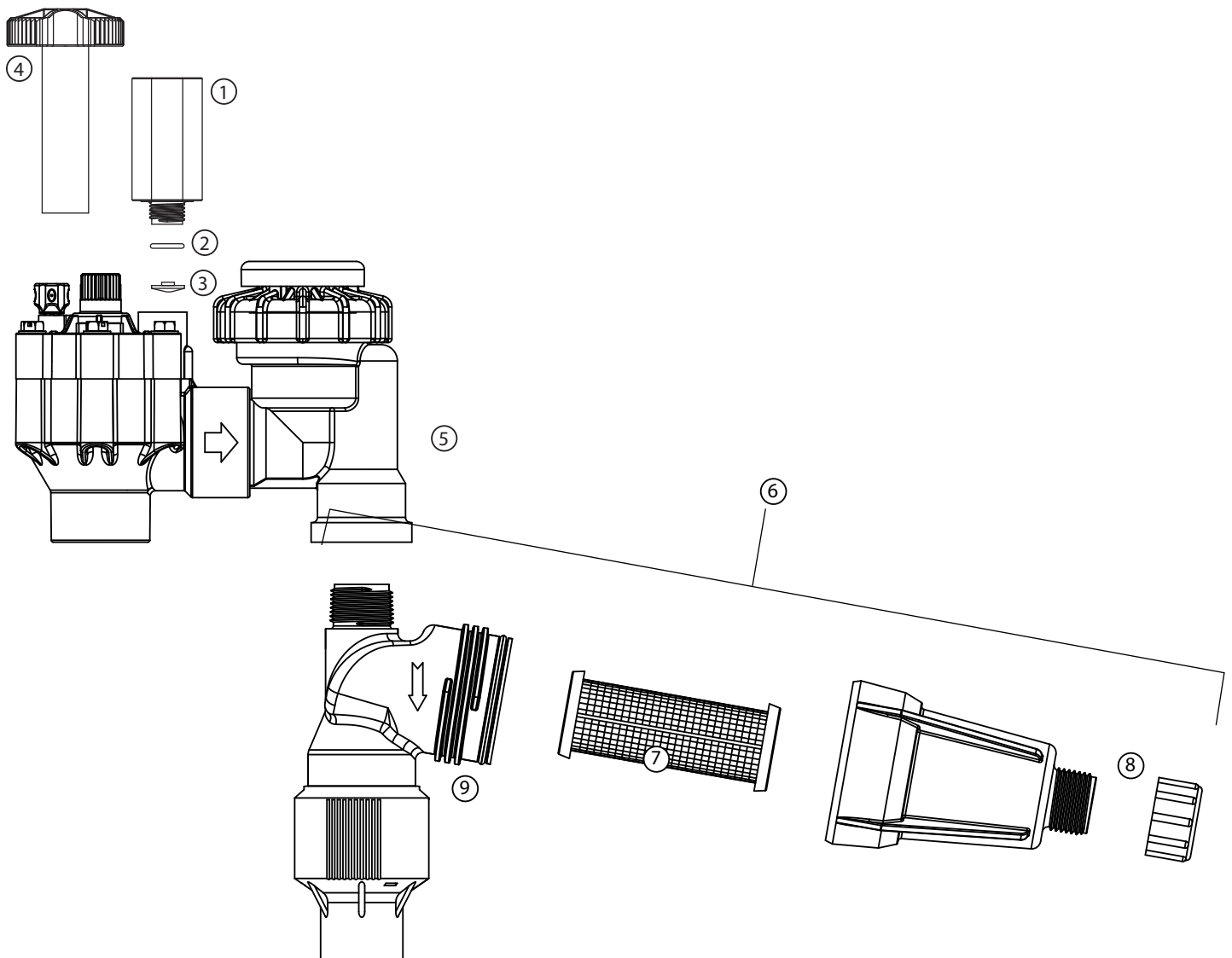
ACZ-075: Drip Control Zone Kit (Before January 2014)

Item	Description	Catalog No.	
①	Solenoid Assembly (Includes parts 2 & 3)	AC Solenoid	434100
		DC Solenoid	458200
②	O-Ring	262600	
③	Solenoid Seal	364400	
④	Handle Flow Control	Black	269200
		Purple	269205
⑤	¾" PGV-ASV Valve	PGV-075-ASV	
⑥	¾" M x ¾" M NPT Wye Filter Assembly	HY075	
⑦	Stainless Steel Screen	150 Mesh	606200
⑧	Flush Cap with O-Ring	651900	
⑨	¾" F x ¾" F NPT Pressure Regulator	25 PSI	605900
		40 PSI	652000
⑩	O-Ring for HY-100	154900	
⑪	Cap Only	133800	



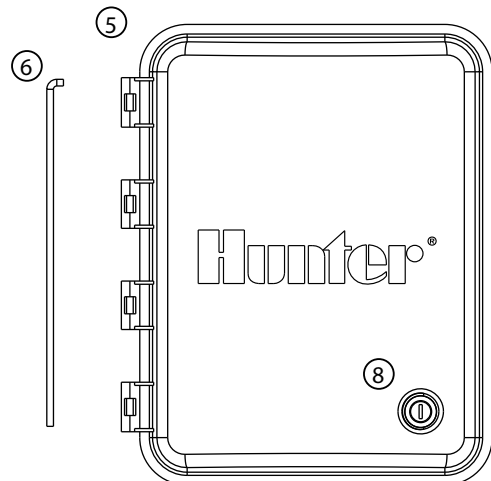
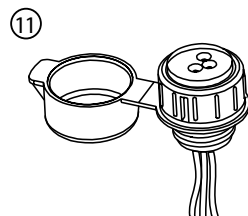
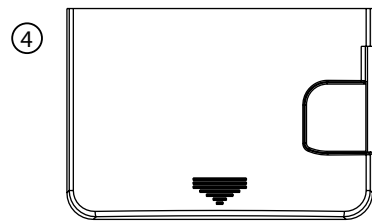
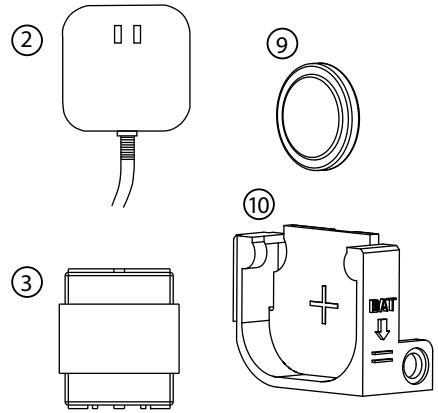
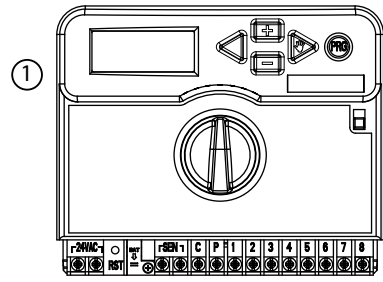
ACZ-101: Drip Zone Kit

Item	Description		Catalog No.
①	Solenoid Assembly (Includes parts 2 & 3)	AC Solenoid	434100
		DC Solenoid	458200
②	O-Ring		262600
③	Solenoid Seal		364400
④	Handle Flow Control	Black	269200
		Purple	269205
⑤	3/4" PGV-ASV Valve		PGV-075-ASV
⑥	Filter/Regulator Assembly	25 PSI	HFR-075-25
		40 PSI	HFR-075-40
⑦	Stainless Steel Screen - 150 Mesh		809300
⑧	Flush Cap with O-Ring		651900
⑨	O-Ring for HFR-075		154900
⑩	Cap Only		133800



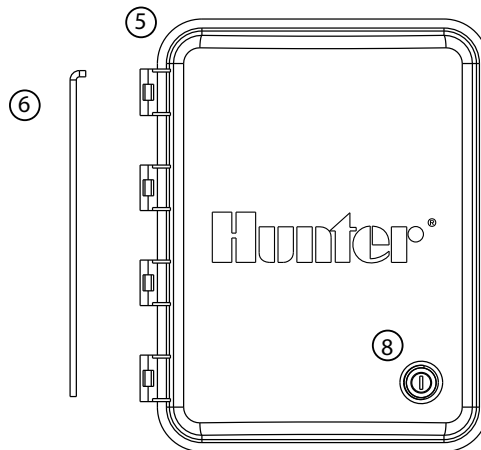
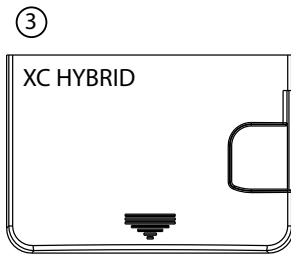
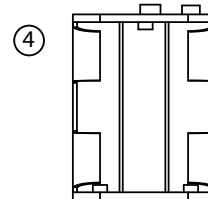
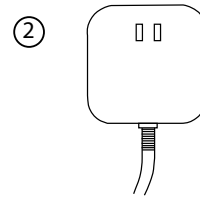
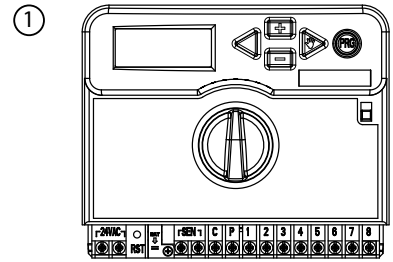
XC Controller: Residential Controller

Item	Description		Catalog No.
①	Front Panel (Outdoor & Indoor)	2-Station	625802
		4-Station	625804
		6-Station	625806
		8-Station	625808
②	Indoor Transformer	120/24VAC (U.S.)	526500
		230/24VAC (European)	545700
		240/24VAC (Australian)	545500
③	Outdoor Transformer	120/24VAC (U.S.)	468000
		230/24VAC (European)	545800
		240/24VAC (Australian)	545600
④	Access Door	Indoor Model	471020
		Outdoor Model	471010
⑤	Front Door		428000
⑥	Front Door Hinge Pin		429200
⑦	Key Set (2)		122516
⑧	Lock & Key Set		387300
⑨	3-Volt Lithium Battery (CR2032)		622032
⑩	Battery Holder		627800
⑪	SmartPort® Wiring Harness	6' Wire	ROAMWH
		25' Wire - Shielded	ROAM-SCWH
	Owner's Manual	English, Spanish, French, Italian, German, Portuguese, Turkish	LIT-397



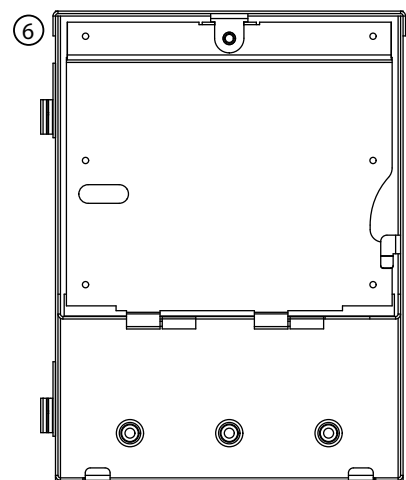
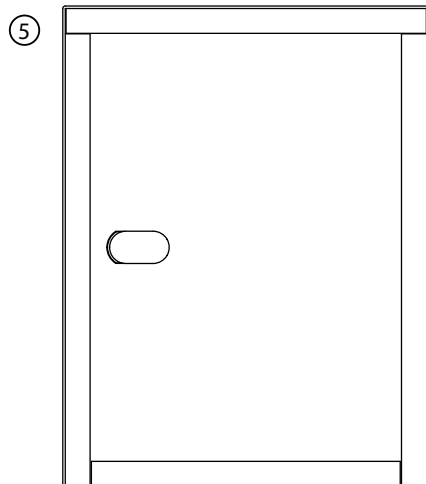
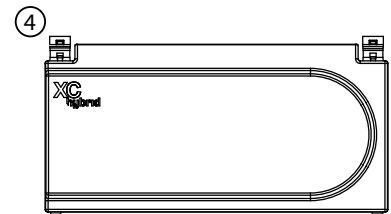
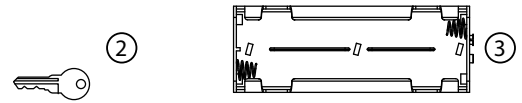
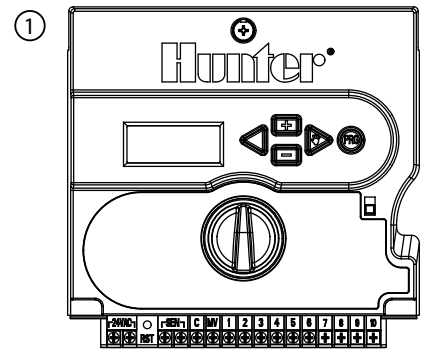
XC Hybrid Controller: Residential Controller (Battery Operated)

Item	Description		Catalog No.
①			6-Station 152520
			12-Station 152505
②	Indoor Transformer (Optional)	120/24VAC (U.S.)	526500
		230/24VAC (European)	545700
		240/24VAC (Australian)	545500
③	Access Door	Outdoor Model	471010
④	Battery Holder (6AA Not Included)		152200
⑤	Front Door		428000
⑥	Front Door Hinge Pin		429200
⑦	Key Set (2)		122516
⑧	Lock & Key Set		387300
	Solar Panel Charging Unit for XCH		517400
	Solar Panel Replacement Assembly		517300



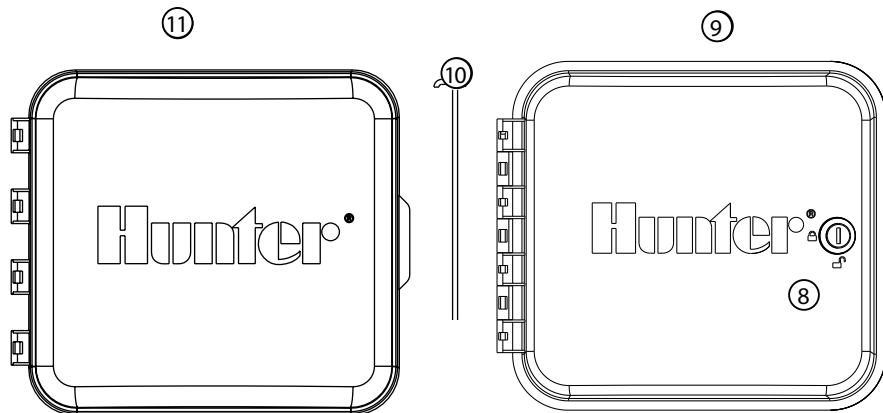
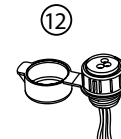
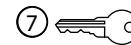
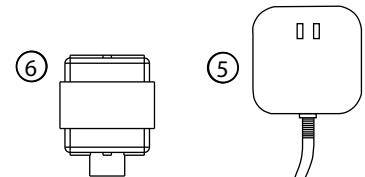
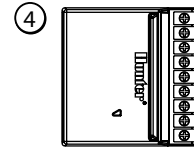
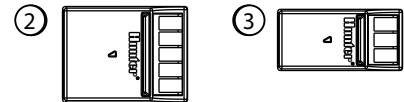
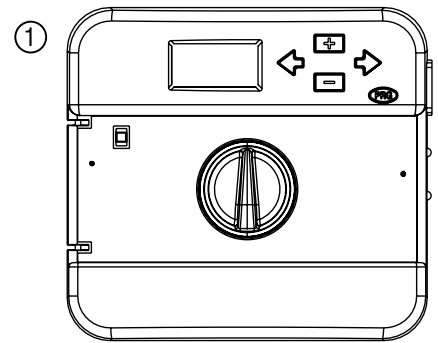
XC Hybrid Controller: Residential Controller (Stainless Steel)

Item	Description	Catalog No.
①	6-Station	152520
	12-Station	152505
②	Key Set (2)	122516
③	Battery Holder (6 C Cells Not Included)	152200
④	Access Panel	471010
⑤	Stainless Steel Door	176200
⑥	Stainless Steel Rear Enclosure	148100
	Solar Panel Charging Unit for XCH	517400
	Solar Panel Replacement Assembly	517300



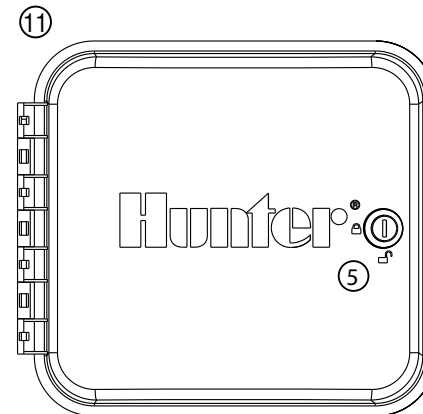
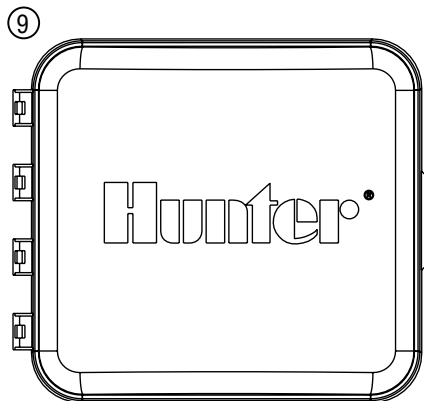
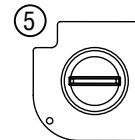
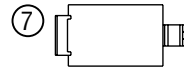
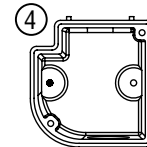
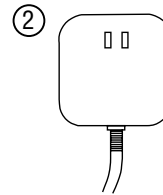
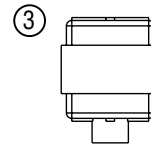
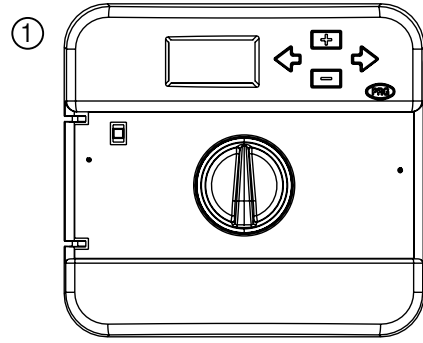
Pro-C®: Indoor and Outdoor Controller

Item	Description	Catalog No.	
①	Front Panel – Old Pro-C 300	526200	
①	Front Panel – New Pro-C 400	821501	
②	Main Module – Old Pro-C 3-Station (black)	466500	
②	Main Module – New Pro-C 4-Station (gray)	820200	
③	3-Station Expansion Module	PCM-300	
④	9-Station Expansion Module	PCM-900	
⑤	Indoor Transformer	120/24VAC (U.S.)	526500
		230/24VAC (European)	545700
		240/24VAC (Australian)	545500
⑥	Outdoor Transformer	120/24VAC (U.S.)	468000
		230/24VAC (European)	545800
		240/24VAC (Australian)	545600
⑦	Key Set (2)	122516	
⑧	Lock & Key Set	387300	
⑨	Front Door (Without Lock)	Outdoor Unit	463100
⑩	Front Door Hinge Pin		464400
⑪	Front Door	Indoor Unit	463300
⑫	SmartPort® Wiring Harness	6' Wire	ROAMWH
		25' Wire - Shielded	ROAM-SCWH



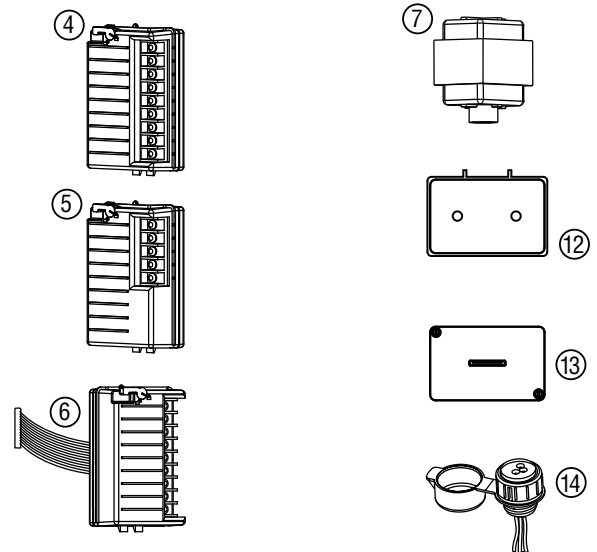
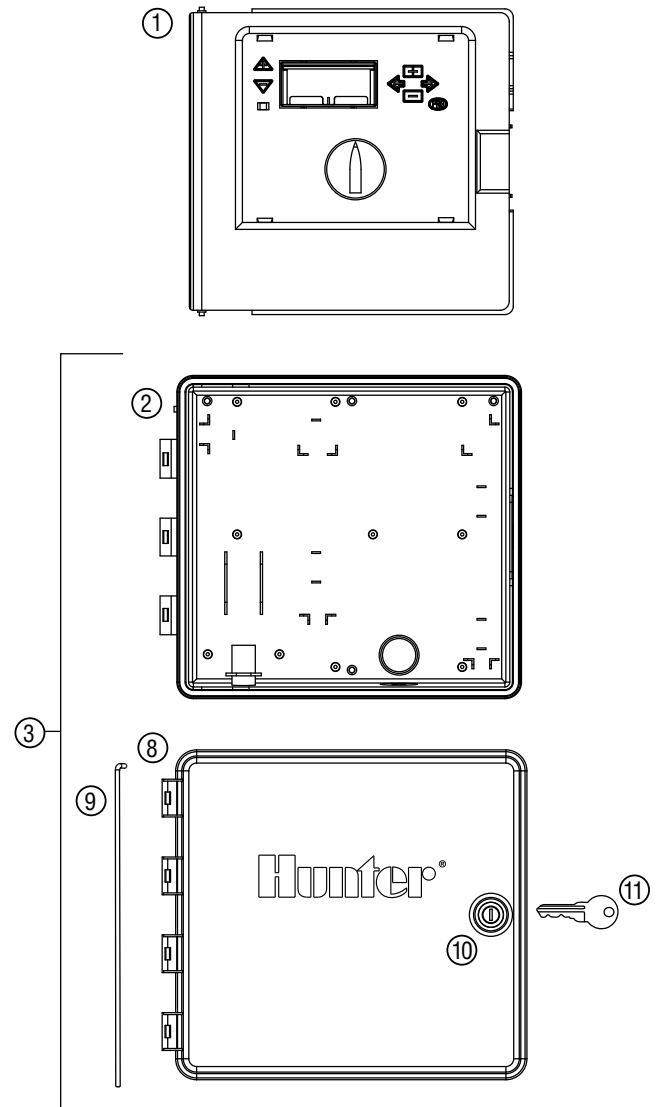
PCC: Indoor and Outdoor Controllers

Item	Description	Catalog No.	
①	Front Panel	821501	
②	IndoorTransformer	120/24VAC (US)	526500
		230/24VAC (European)	545700
		240/24VAC (Australian)	545500
③	Outdoor Transformer	120/24VAC (US)	468000
		230/24VAC (European)	545800
		240/24VAC (Australian)	545600
④	Key Set (2)	122516	
⑤	Lock & Key Set	387300	
⑥	Front Door (Without Lock)	Outdoor Unit	463100
⑦	Front Door Hinge Pin		464400
⑧	Front Door	Indoor Unit	463300
⑨	SmartPort Wiring Harness	6' Wire	ROAMWH
		25' Wire - Shielded	ROAM-SCWH



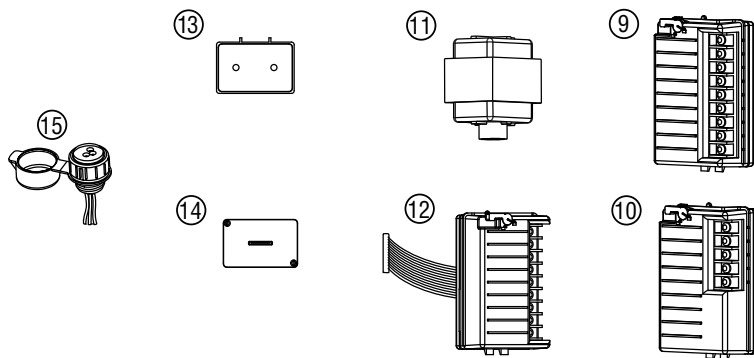
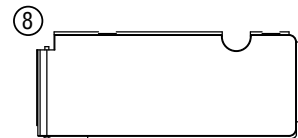
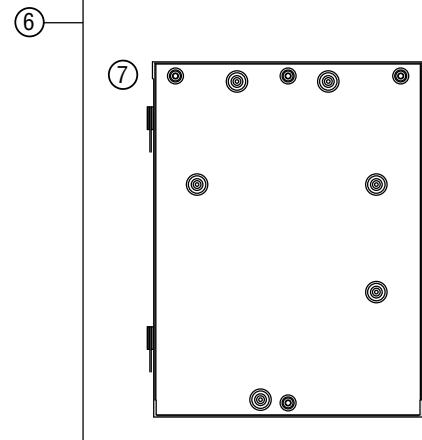
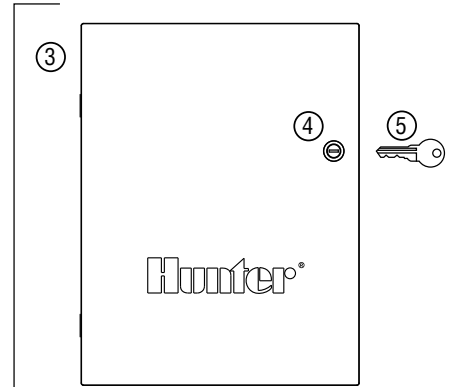
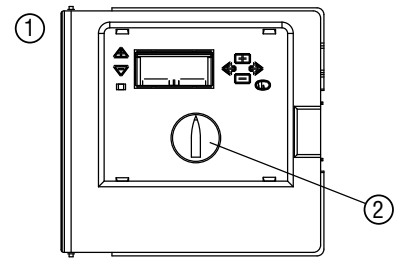
ICC: Institutional/Commercial Controller (ICC-800PL & ICC-801PL) – Plastic Cabinet

Item	Description	Catalog No.	
①	Front Panel	429600	
②	Rear Cabinet	(U.S.)	373200
		(International)	373205
③	Plastic Cabinet Assembly (Includes items 3, 10, 11, 12 & 13)	631500	
④	8-Station Module	ICM800	
⑤	4-Station Module	ICM400	
⑥	Power Module	429800	
⑦	Transformer 110/220 24V 40VA (Dual Voltage)	154628	
⑧	Plastic Front Door without Lock	429700	
⑨	Front Door Hinge Pin	374000	
⑩	Lock and Key Set	387300	
⑪	Key Set (2)	122516	
⑫	Junction Box	374100	
⑬	Junction Box Door	374200	
⑭	SmartPort® Wiring Harness	6' Wire (pack of 50)	ROAMWH
		25' Wire - Shielded	SRR-SCWH
	Station ID Label	English	LIT-245
	Owner's Manual	English	LIT-237
	Hanging Card Kit	English	LIT-334
	International Documentation (Includes Owner's Manual, Door Instructions and Faceplate Label)	Spanish	INT-321
		French	INT-322
		Italian	INT-323
		German	INT-370



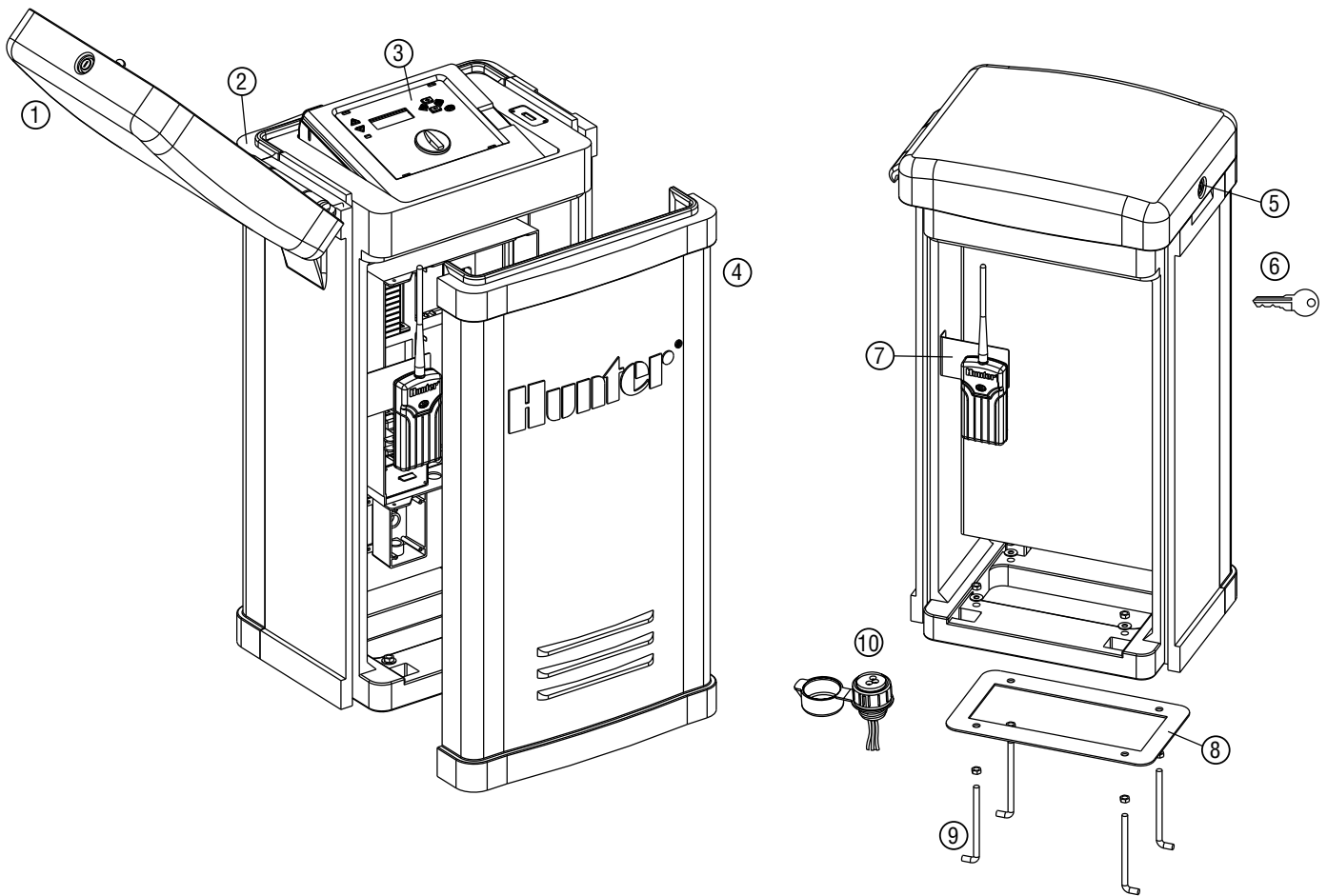
ICC: Institutional/Commercial Controller (ICC-800M & ICC-800SS) – Metal Cabinet

Item	Description	Catalog No.	
①	Front Panel	429600	
②	Dial	375700	
③	Metal Front Door w/o Lock	Powder Coated	384400
		Stainless Steel	384405
④	Lock & Key Set	387300	
⑤	Key Set (2)	122516	
⑥	Metal Cabinet w/ Door & Lock (Includes 3, 4 & 7)	Powder Coated	561700
		Stainless Steel	561800
⑦	Metal Cabinet w/o Door	Powder Coated	384300
		Stainless Steel	384305
⑧	Bottom Door	384200	
⑨	8-Station Module	ICM800	
⑩	4-Station Module	ICM400	
⑪	Transformer 110/220 24V 40VA (Dual Voltage)	154628	
⑫	Power Module	429800	
⑬	Junction Box	374100	
⑭	Junction Box Door	374200	
⑮	SmartPort® Wiring Harness	6' Wire (pack of 50)	ROAMWH
		25' Wire - Shielded	SRR-SCWH
	Inside Door Label	English	LIT-290
	Station ID Label	English	LIT-245
	Owner's Manual	English	LIT-237
	Hanging Door Card	English	LIT-334
	International Documentation (Includes Owner's Manual, Door Instructions, and Faceplate Label)	Spanish	INT-321
		French	INT-322
		Italian	INT-323
		German	INT-370



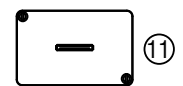
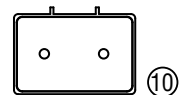
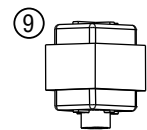
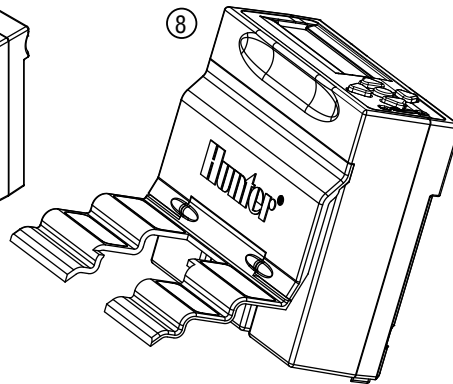
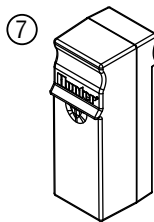
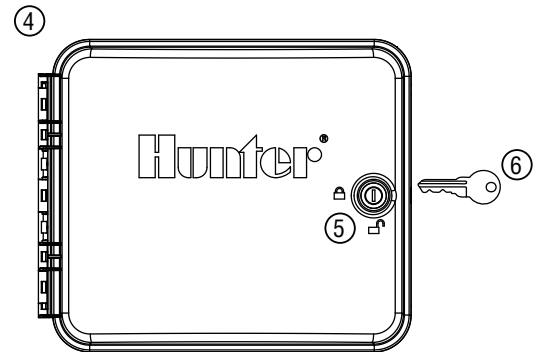
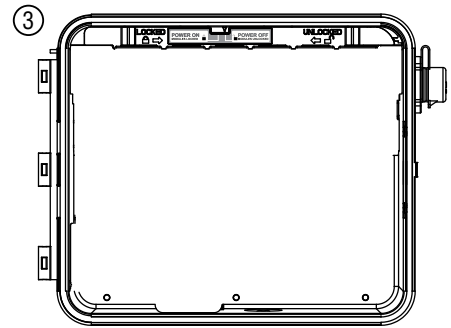
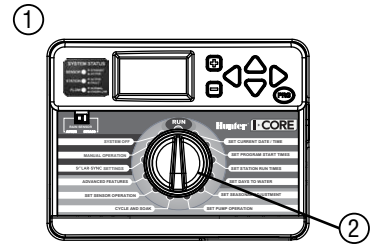
ICC Plastic Pedestal

Item	Description	Catalog No.	
①	Lid	553300	
②	Hinge Pin	558400	
③	ICC Front Panel	429600	
④	Access Door	553200	
⑤	Lock & Key Set	558000	
⑥	Key Set (2)	122516	
⑦	SmartPort® Bracket	576000	
⑧	Mounting Template	558600	
⑨	Mounting Hardware	420200	
⑩	SmartPort Wiring Harness	6' Wire (pack of 50)	ROAMWH
		25' Wire - Shielded	SRR-SCWH
	Ribbon Cable Extension (Not shown)	574600	
	Mounting Kit (Includes 8 & 9)	581700	



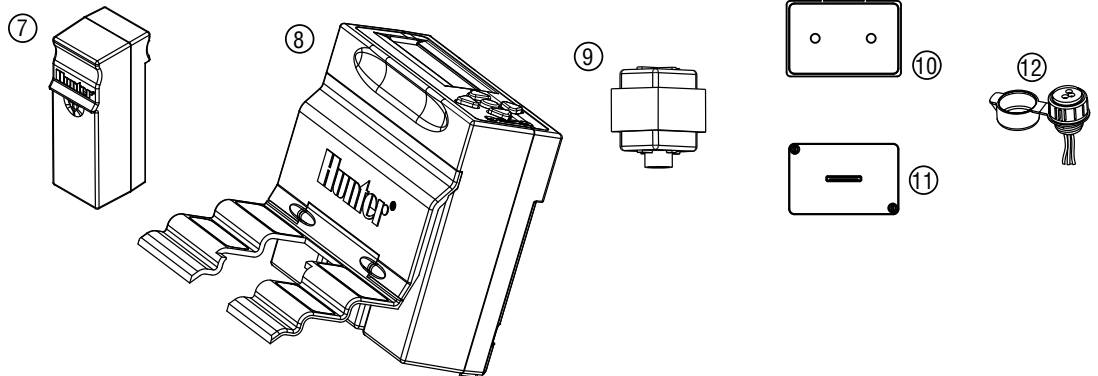
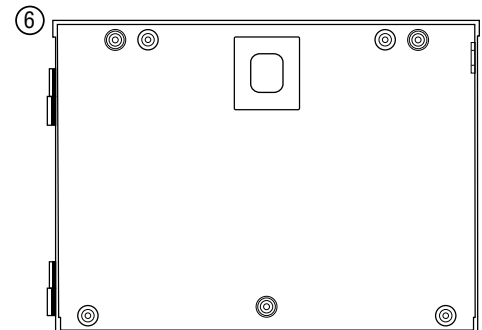
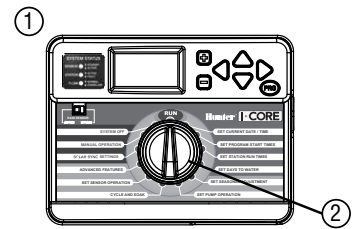
I-Core®: Institutional/Commercial Controller (IC-600PL & IC601PL) – Plastic Cabinet

Item	Description	Catalog No.	
①	Front Panel	124705	
②	Knob	129300	
③	Rear Cabinet	117805	
④	Door Without Lock, Plastic I-Core	131305	
⑤	Lock & Key Set	387300	
⑥	Key Set (2)	122516	
⑦	6-Station Expansion Module	ICM600	
⑧	48 Station DUAL Module	DUAL48M	
⑨	Transformer	154628	
⑩	Junction Box	123800	
⑪	Junction Box Cover	124000	
⑫	SmartPort®	6' Wire (pack of 50)	ROAMWH
	Wiring Harness	25' Wire - Shielded	SRR-SCWH
	Power Module (30 station models only)		121405
	Ribbon Cable, Plastic I-Core		130800
	I-Core Mounting Template		LIT-548
	Hanging Door Card	English	LIT-506
	Owners Manual	English	LIT-502
International Kit (Includes Owners Manual)		Spanish	INT-895
		French	INT-894
		Italian	INT-896
		German	INT-898
		Portuguese	INT-897



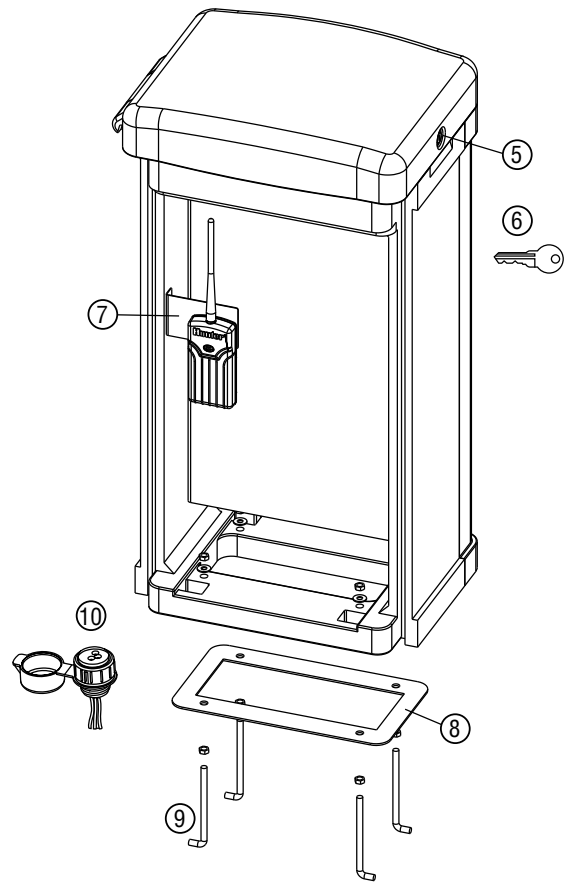
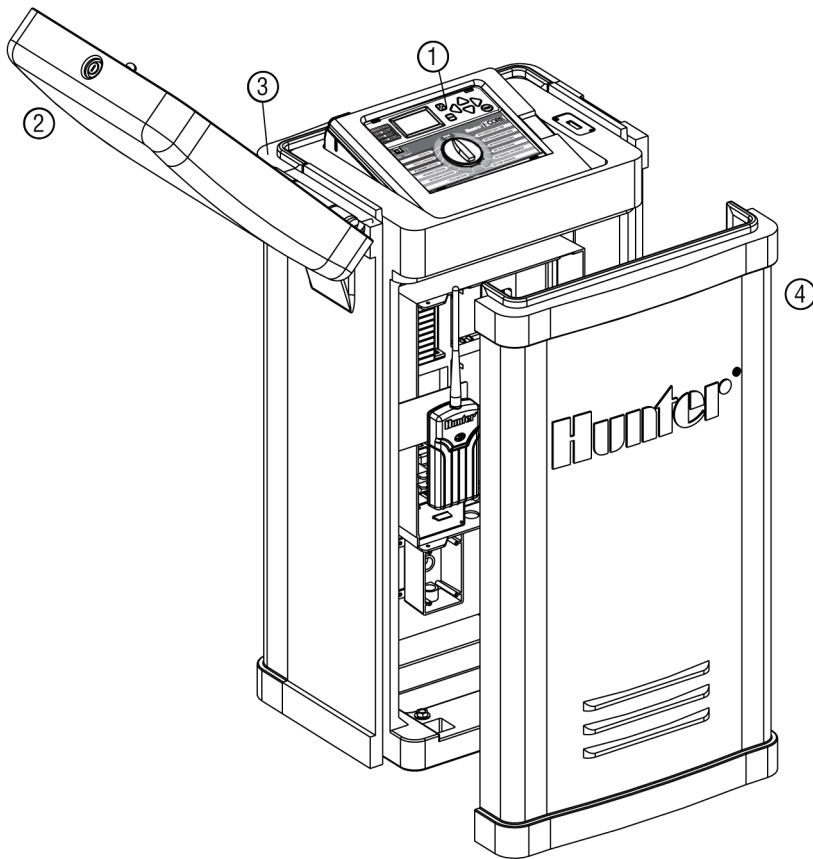
I-Core®: Institutional/Commercial Controller (IC-600M & IC-600SS) – Metal Cabinet

Item	Description	Catalog No.	
①	Front Panel	124705	
②	Knob	129300	
③	Door Without Lock, Metal I-Core	125500	
④	Lock & Key set	387300	
⑤	Key Set (2)	122516	
⑥	Rear Cabinet	118700	
⑦	6 Station Expansion Module	ICM600	
⑧	48 Station DUAL Module	DUAL48M	
⑨	Transformer	154628	
⑩	Junction Box	123800	
⑪	Junction Box Cover	124000	
⑫	SmartPort®	6' Wire (pack of 50)	ROAMWH
	Wiring Harness	25' Wire - Shielded	SRR-SCWH
	Power Module (42 station models only)		141700
	Ribbon Cable, Metal/Stainless I-Core		130810
	I-Core Mounting Template		LIT-548
	HangingDoorCard	English	LIT-506
	Owners Manual	English	LIT-502
International Kit (Includes Owners Manual)		Spanish	INT-895
		French	INT-894
		Italian	INT-896
		German	INT-898
		Portuguese	INT-897



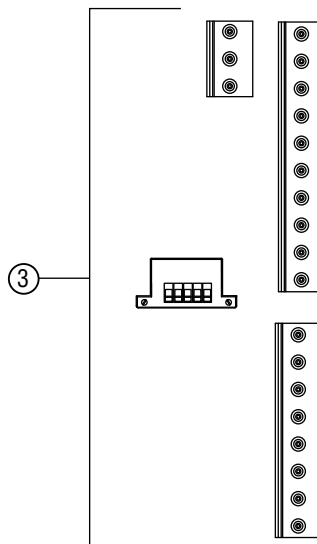
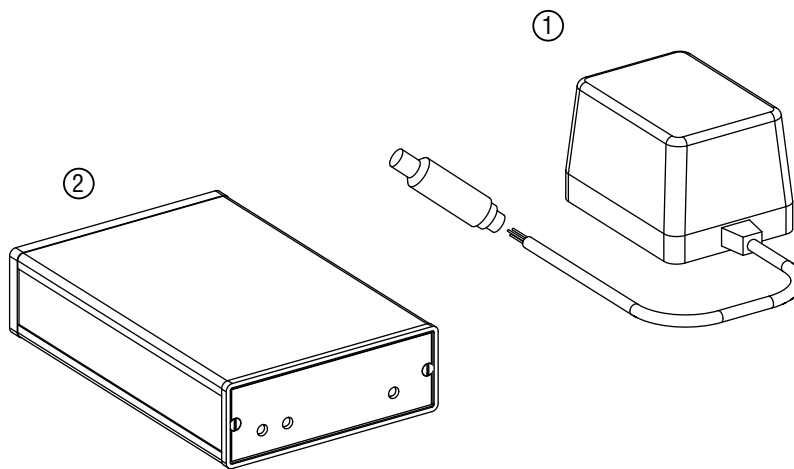
I-Core® Plastic Pedestal

Item	Description	Catalog No.	
①	I-Core Front Panel	12475	
②	Lid	552200	
③	Hinge Pin	558400	
④	Access Door	553200	
⑤	Lock & Key Set	558800	
⑥	Key Set (2)	122516	
⑦	SmartPort® Bracket	576000	
⑧	Mounting Template	558600	
⑨	Mounting Hardware	420200	
⑩	SmartPort Wiring Harness	SRR-SCWH	
	25' Shielded Cable		
	Ribbon Cable - Plastic Ped I-Core		130815
	Mounting Kit		581700
⑪	Owners Manual	English	LIT-502
		Spanish	INT-895
	International Kit (Includes Owners Manual)	French	INT-894
		Italian	INT-896
		German	INT-898
	Portuguese	INT-897	
	Pedestal Junction Box	145415	



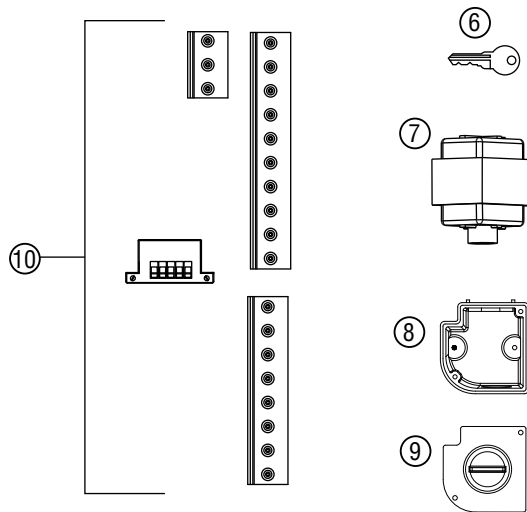
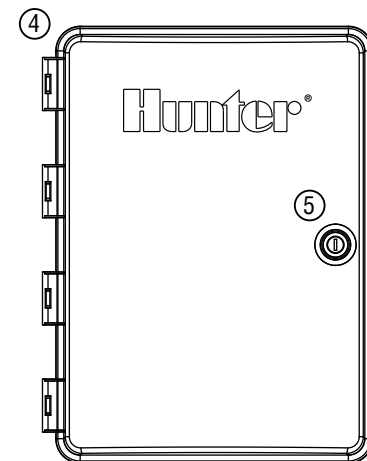
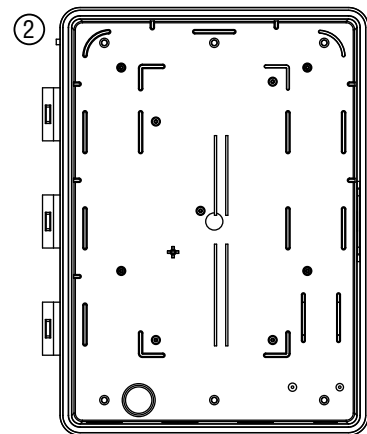
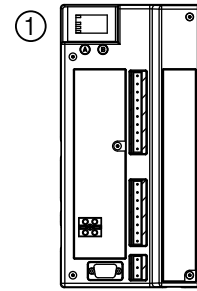
IMMS®-CCC: Irrigation Management and Monitoring

Item	Description		Catalog No.
①	Transformer Assembly	120/24VAC (U.S.)	622100
		230/24VAC (International)	622105
		230/24VAC (AU/NZ)	622115
②	Central Computer Communications Unit (Includes 1 & 3)	U.S.	IMMS-CCC
		International	IMMS-CCC-E
		AU/NZ	IMMS-CCC-A
③	Terminal Plugs (1 CCC GCBL & 1 Set of Interface plugs)		629800



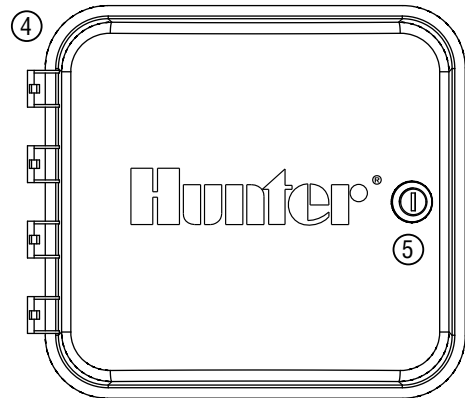
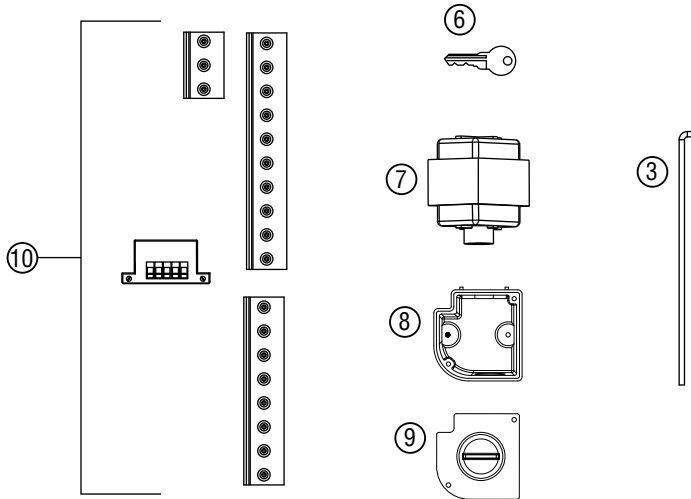
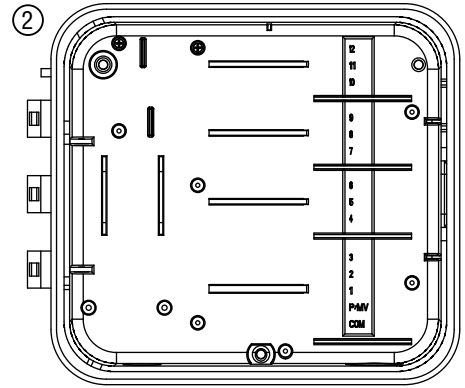
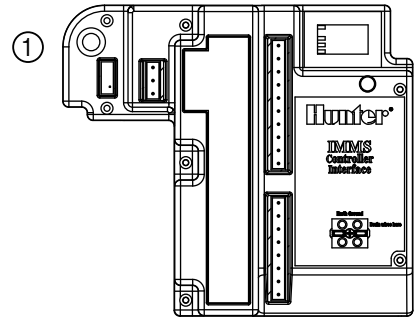
IMMS®-SI: Irrigation Management and Monitoring System

Item	Description	Catalog No.	
①	Electronic Assembly	IMMS-SI-HW (U.S.)	629500
		IMMS-SI-MOD (U.S.)	629600
		IMMS-SI-HW-E (International)	510905
		IMMS-SI-MOD-E (International)	510915
②	Cabinet	U.S.	513000
		International	513010
③	Front Door Hinge Pin	513005	
④	Plastic Front Door	U.S.	513100
		International	513105
⑤	Lock Assembly and Key	387300	
⑥	Key Set (2)	122516	
⑦	Transformer	120/24VAC (U.S.)	468000
		230/24VAC (European)	545600
⑧	Junction Box	464000	
⑨	Junction Box Door	464100	
⑩	Terminal Plugs (All)	629800	



IMMS®-CI: Irrigation Management and Monitoring System

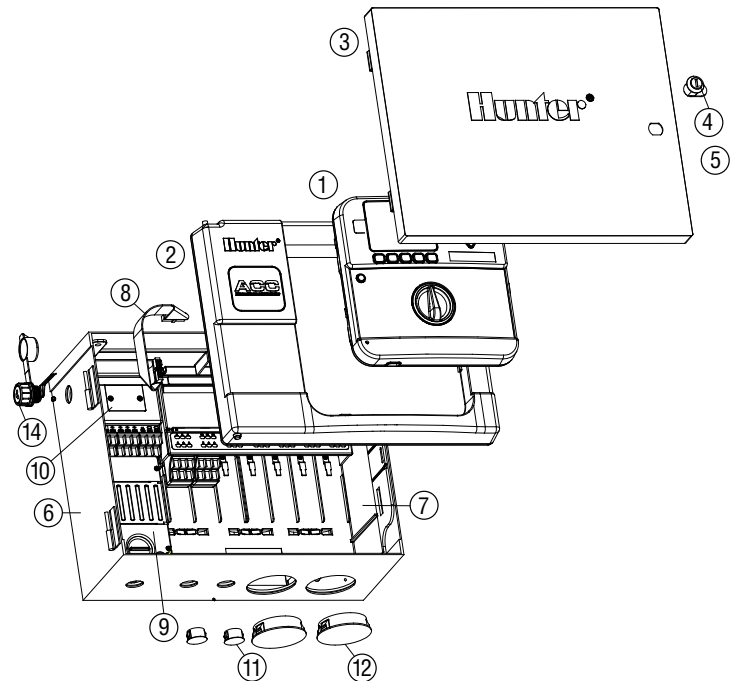
Item	Description		Catalog No.
①	Electronic Assembly	IMMS-CI-HW (U.S.)	629700
		IMMS-CI-HW (International)	629700
②	Cabinet	U.S.	511200
		International	511205
③	Front Door Hinge Pin		464400
④	Plastic Front Door (Without Lock)	U.S.	463100
		International	463105
⑤	Lock Assembly and Key		387300
⑥	Key Set (2)		122516
⑦	Transformer	120/24VAC (U.S.)	468000
		230/24VAC (European)	468005
⑧	Junction Box		464000
⑨	Junction Box Door		464100
⑩	Terminal Plugs (All)		629800



ACC Wall Mount Controllers (ACC1200, ACC99D)

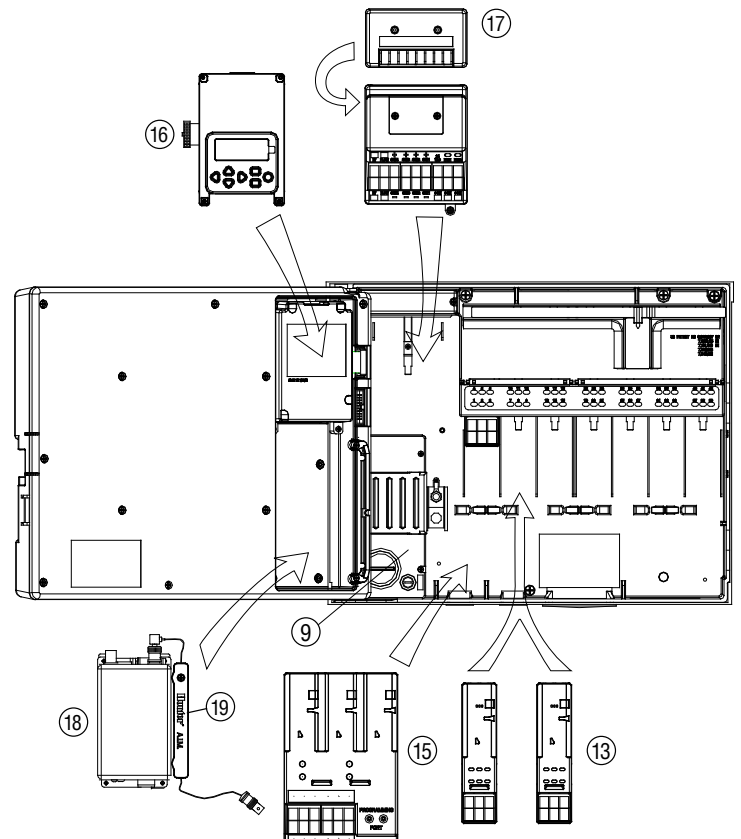
Item	Description	Catalog No.
①	Front Faceplate Face Pack	571500
②	Front Face Pack Door Frame	589000
③	Metal Front Door w/o Lock	585500
④	Lock & Key Set (Not Shown)	387300
⑤	Key Set (2) (Not shown)	122516
⑥	Metal Cabinet w/o Door	585000
⑦	Shell kit, includes metal cabinet, plastic backplane, transformer, no modules	*ACCSHELLKIT
⑧	Door Ribbon Cable (Wall mount only)	585100
⑨	Transformer Assembly	587000
⑩	Master Module	572000
⑪	Small Hole Plug	654400
⑫	Large Hole Plug	654500
⑬	Station Module(s) ACM-Module (Standard)	ACM600
	AGM-Module (Extreme service)	AGM600
⑭	SmartPort® Assembly including Nut	112200
⑮	Decoder Output Module	ADM99

* Replaces part 586005 which is no longer available.



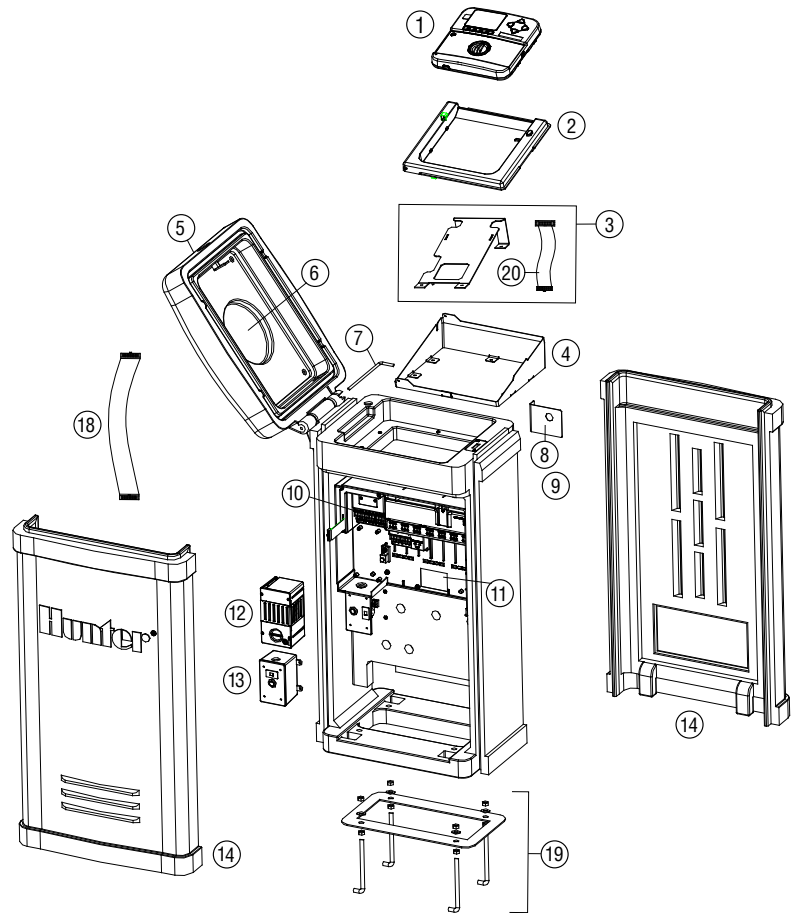
Communications Modules and Parts

Item	Description	Catalog No.
⑯	Com module for dial-up (POTS)	ACC-COM-POTS
⑯	Com module for GSM cell (USA)	ACC-COM-GSM
⑯	Com module for GSM, International	ACC-COM-GSM-E
⑯	Com module for radio and hardwire only	ACC-COM-HWR
⑯	Com module for Ethernet	ACC-COM-LAN
⑯	Com module for GPRS	ACC-COM-GPRS
⑰	Hardwire Interface Module	ACC-HWIM
	Antenna for GSM or GPRS (USA) not shown	666251
	Antenna for GSM or GPRS (Int'l) not shown	666261
⑱	UHF radio (No antenna)	RAD3
⑲	Antenna Isolation Module	AIM-BNC



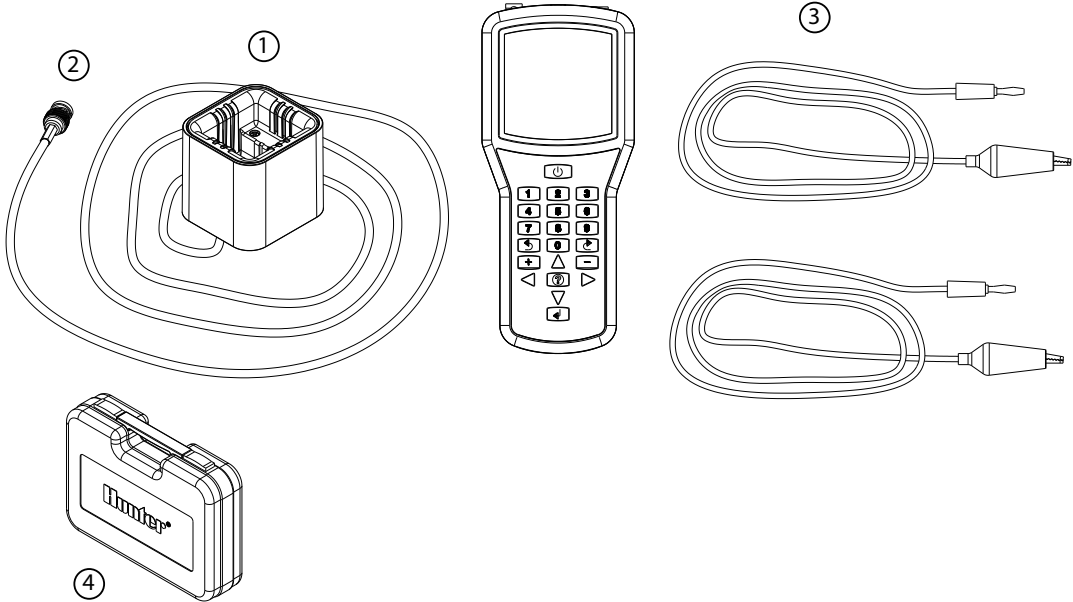
ACC Pedestal Controllers (ACC1200PP, AGC1200PP, AGC99DPP)

Item	Description	Catalog No.
①	Front Faceplate Face Pack (ACC)	571500
	Front Face Pack (AGC)	571505
②	Front Face Pack Door only	620000
③	Plastic Ped Com and Radio Bracket, includ- ing Ribbon Cable	APPBRKT
④	Frame Adapter	145500
⑤	Lid including Lock	553305
⑥	Lid Antenna for Ped, UHF	IMMSANT2
⑦	Lid Hinge Pin	558400
⑧	SmartPort® Bracket	576000
⑨	SmartPort® Wiring Harness	112210
⑩	Master Module	572000
⑪	Decoder Output Module	ADM99
	Station Module(s) ACM-Module (Standard)	ACM600
	AGM-Module (Extreme Service)	AGM600
⑫	Transformer Assembly	587000
⑬	J Box	145410
⑭	Pedestal Door with Screen	553205
⑮	Lock & Key Set (Not shown)	558000
⑯	Key Set (2) (Not shown)	122516
⑰	ACC Ped Inner Panel Cabinet with Transformer	621230
⑱	Ribbon, Inner Controller to Facepack Door	585105
⑲	Mounting Template Kit, includes Template #558600, and Hardware #420200	581700
⑳	Ribbon, Extension for Com Modules in Pedestals	619900
㉑	Mounting Template only	558600
㉒	Mounting Hardware only	420200



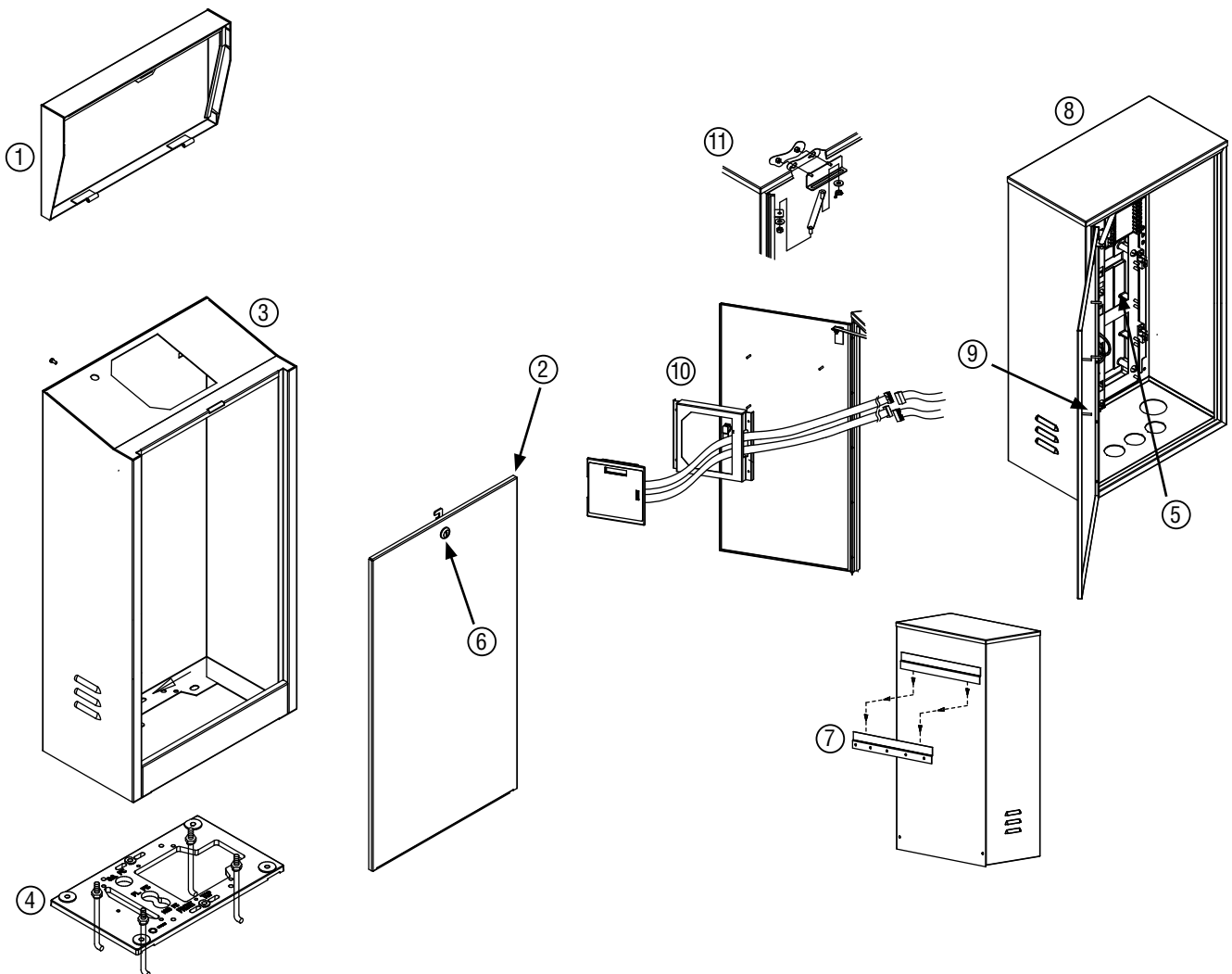
ICD-HP Components

Item	Description	Catalog No.
①	Programming Cup	177600
②	Programming cable 6' (2m) with Connectors	180504
③	Red and Blue 6' (2m) Leads	180508
④	Carrying Case	205800



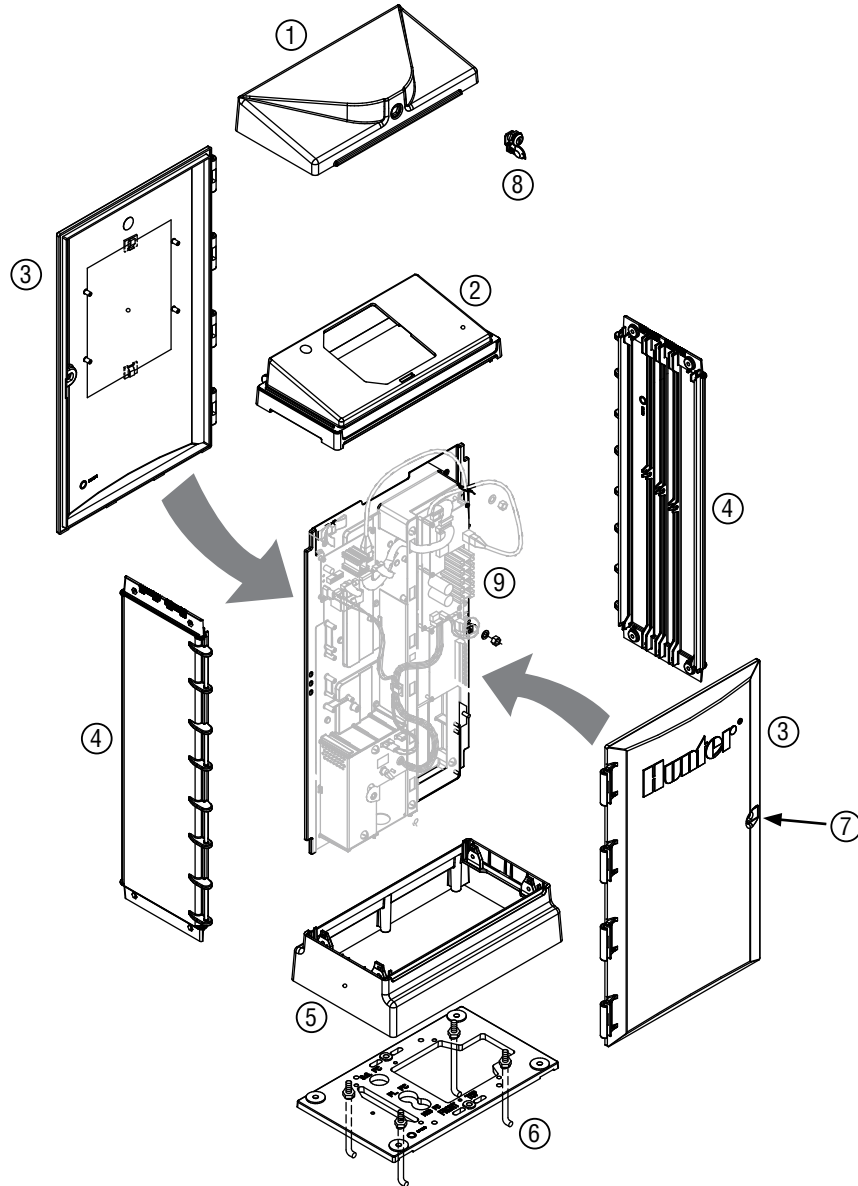
Steel Controller Enclosure Parts (IDSSP, IDSSW)

Item	Description	Catalog No.
①	Lid Kit	FCSLIDKT
②	Replacement Pedestal Door, including lock assembly	FCSDOORKT
③	Complete replacement Standalone Pedestal with back plane, lid, & door (No Components)	FCSPEDKT
④	Mounting template and hardware for S pedestal	TEMPLT2
⑤	Plastic backplane for mounting electronic components (Also rear panel of plastic wall mount)	BACKPLANEKT
⑥	Steel Pedestal Door Lock Kit w/ keys	FCSDLKT
⑦	Wall Controller Mount Kit	WCSMNTKT
⑧	Complete replacement wall cabinet with back plane & door, no components	WCSCABKT
⑨	Wall Mount Door Lock w/ keys	WCSDLKT
⑩	Inner Door Bracket for Facepack	WFPBKT
⑪	Door stop for wall mount door	WCSDSKT



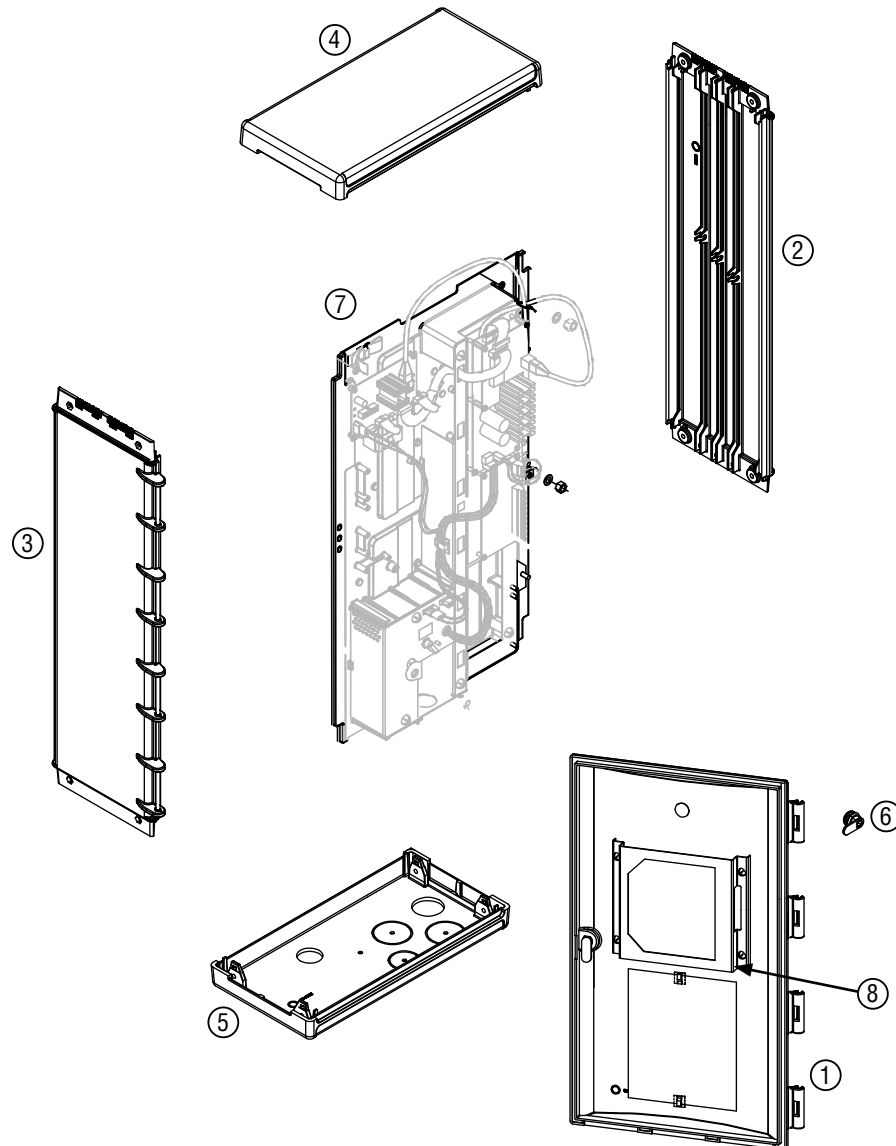
Plastic Pedestal Kits IDS-PP

Item	Description	Catalog No.
①	Lid Kit	FCPLKT
②	Cap Kit	FCPCKT
③	Door Kit (1 per kit)	FCPDKT
④	Side Kit	FCPSKT
⑤	Base Kit	FCPBKT
⑥	Template Kit	TEMPLT2
⑦	Lock Assembly, Door	FCPDLKT
⑧	Lock Assembly, Lid	FCPLLKT
⑨	Plastic backplane for mounting electronic components (Also rear panel of wall mount, includes gasket tape - NO components)	BACKPLANEKT
All	Complete Plastic Pedestal (No components)	PEDP1



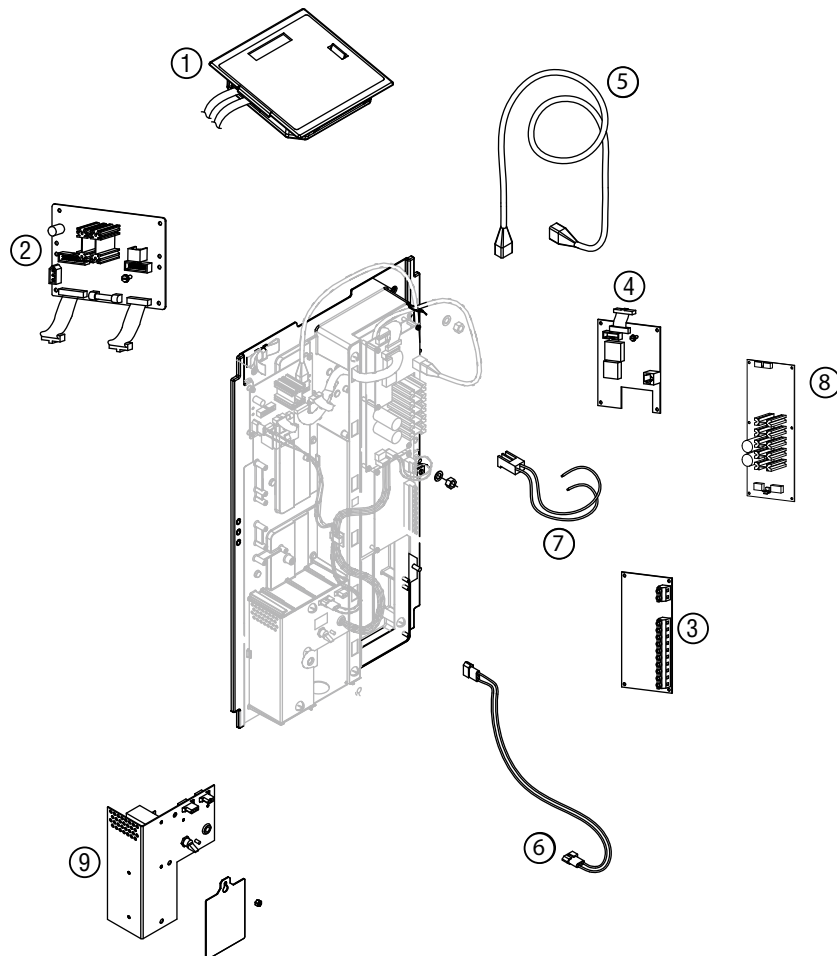
Plastic Wall Enclosure Kits IDS-PW

Item	Description	Catalog No.
①	Wall Mount Door Kit	WCPDKT
②	Wall Mount Right Side Kit (No hinges)	WCPSKT
③	Wall Mount Left Side Kit (With hinges)	FCPSKT
④	Top Kit	WCPTT
⑤	Wall Mount Bottom Kit	WCPBKT
⑥	Lock Assembly, Door	FCPDLKT
⑦	Plastic backplane for mounting electronic components (Also rear panel of wall mount- includes gasket tape, NO components)	BACKPLANEKT
⑧	Inner Door Bracket for facepack	WFPBKT
All	Complete Wall Mount Enclosure (No components)	WALP1



IDS Decoder Controller Components

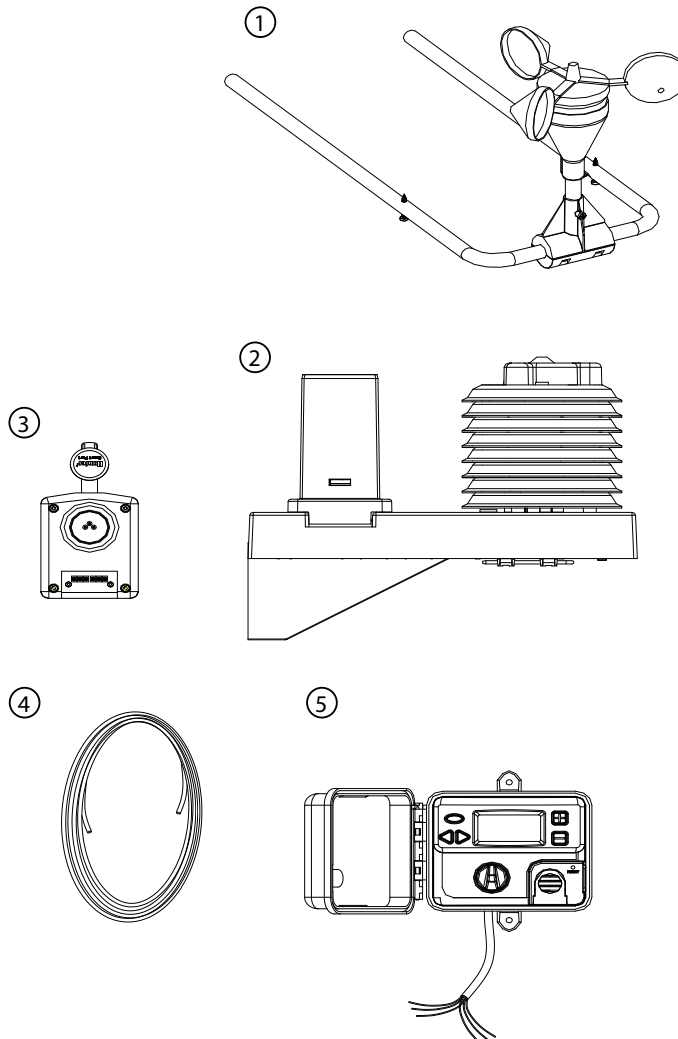
Item	Description	Catalog No.
①	IDS Facepack Kit	IDSKTFP
②	Decoder Power Supply Board Kit	VKTPSB2
③	Decoder Lightning/Output Board	VLPTKT
④	Decoder CPU Board	VCPUKT
⑤	RJ45 Cable	516238
	IDS Instruction Card/Zone Label Inside door (not shown)	562242
⑥	Power Supply Board Wire Harness	516140
	IDS Controller Manual (not shown)	LIT-376
⑦	Transmitter Cable	516143
⑧	Viking Transmitter Board	VTRNSKT
	Decoder Utility Software	
	Replacement cable for DECMAN (not shown)	516177
	Transformer Options	
⑨	Decoder Transformer Kit 110 VAC (Plastic and S Series)	FPCVKTFR2



ET Systems

Item	Description	Catalog No.
①	ET Anemometer	ETWIND
②	ET Sensor Platform	ETSENSOR
③	SmartPort® Adaptor for ACC	ETADAPTOR
④	100'/30m Direct Burial Wire	206100
⑤	ET Control Module	ETMODULE
	Spare Lithium Battery (Not shown)	622032
	Mounting Bracket Hardware (Not shown)	ETHARDWARE
	Owner's Manual (Not shown)	LIT-399

*Available on Hunter website

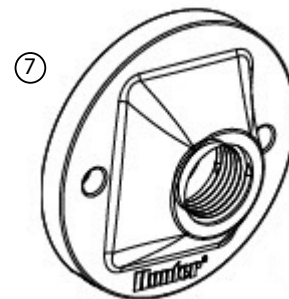
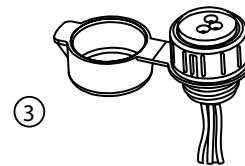
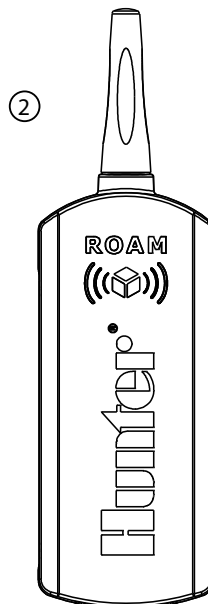
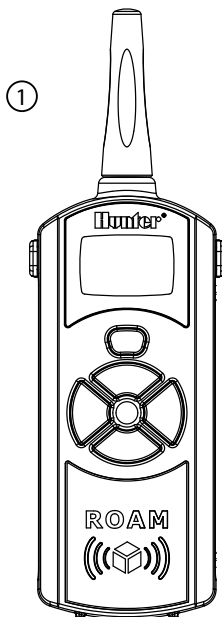


ICR: Remote Control Unit

Item	Description	Catalog No.
①	ICR Transmitter	See ROAM-XL-TR
②	ICR Receiver	See ROAM-XL-R
③	Plastic Carrying Case	See ROAM-XL-CASE

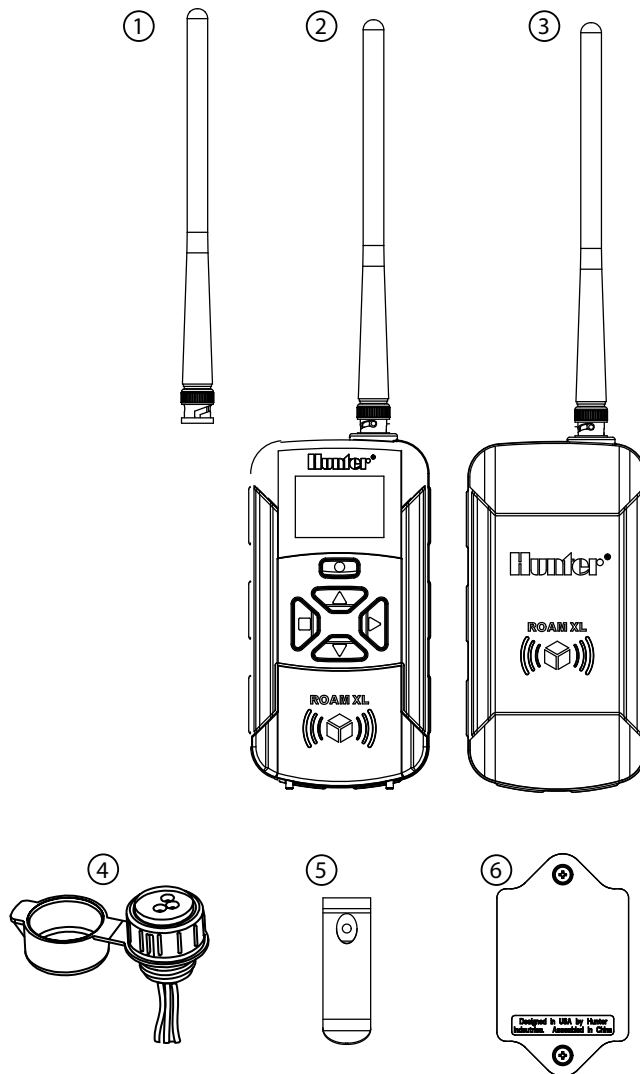
ROAM: Remote Control Unit

Item	Description	Catalog No.	
①	ROAM Transmitter	ROAM TR	
②	ROAM Receiver	ROAM R	
③	SmartPort® Wiring Harness	6' Wire	ROAMWH
		25' Wire-Shielded	ROAM-SCWH
④	SmartPort Wall Mount Bracket	258200	
⑤	Owners Manual (Not shown)	English	LIT-477



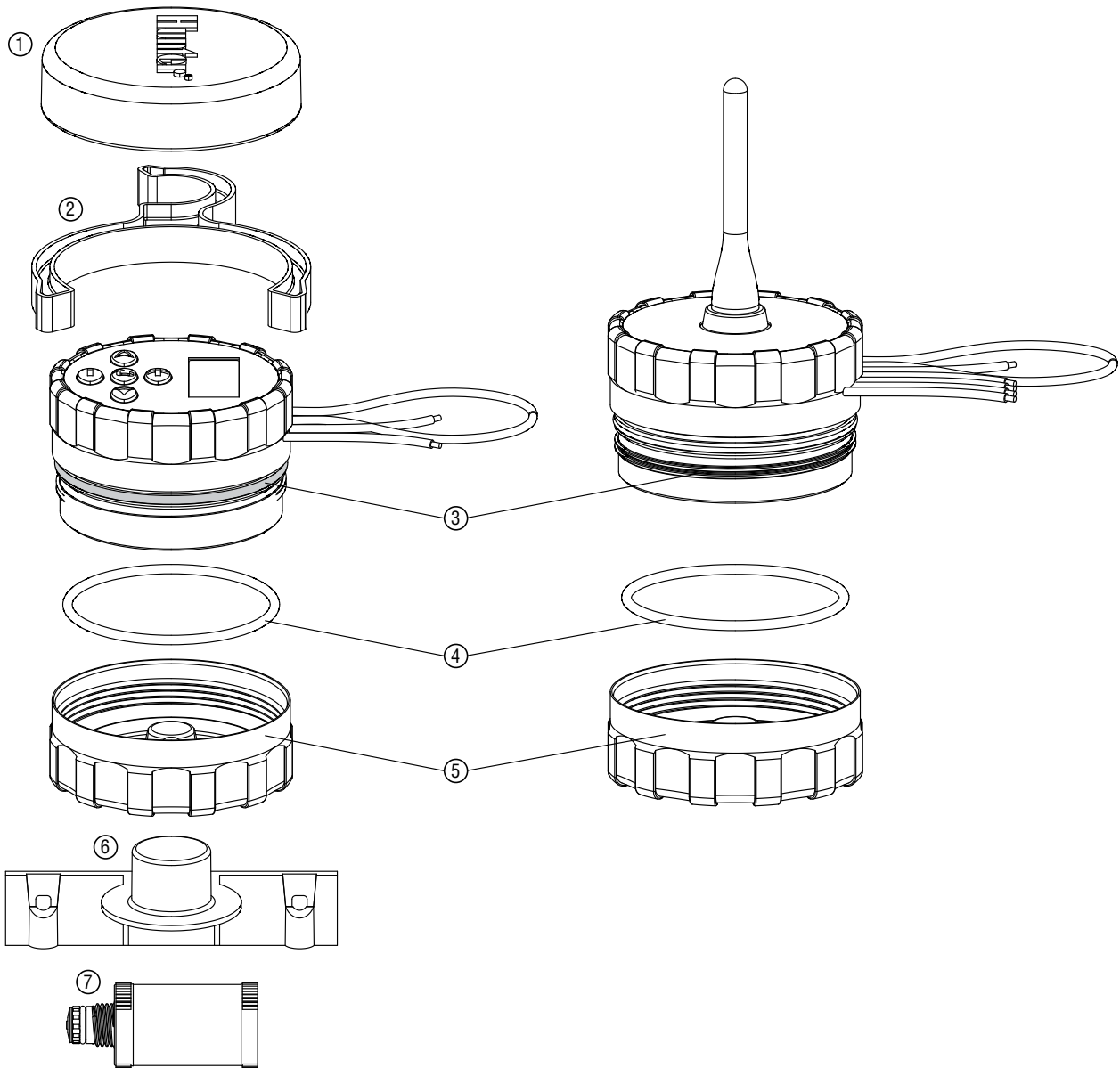
ROAM XL: Remote Control Unit

Item	Description	Catalog No.	
①	ROAM XL Antenna	522701	
②	ROAM XL Transmitter	ROAM-XL-TR	
③	ROAM XL Receiver	ROAM-XL-R	
④	SmartPort® Wiring Harness	6' Wire	ROAMWH
		25' Wire-Shielded	ROAM-SCWH
⑤	Stainless Steel Belt Clip	507300	
⑥	ROAM XL Battery Cover	508900	



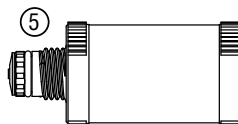
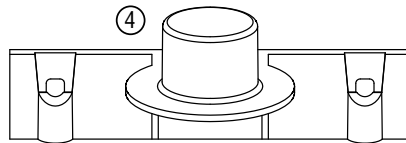
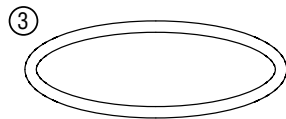
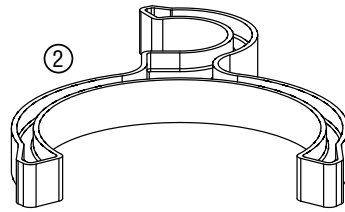
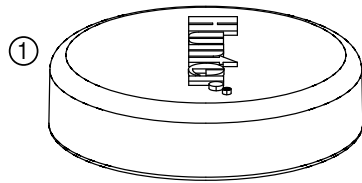
SVC & WVC Controllers

Item	Description	Catalog No.
①	Rubber Cover	489800
②	Mounting Clip	489500
③	O-Ring (Main Body)	491200
④	O-Ring (Cap)	491300
⑤	Cap Assembly	644500
⑥	Universal Mounting Adapter	488800
⑦	DC Latching Solenoid	458200
	SVC Owner's Manual (not shown) English, Spanish, French, Italian, German, Portuguese	LIT382
	WVC Owner's Manual (not shown) English	LIT-335



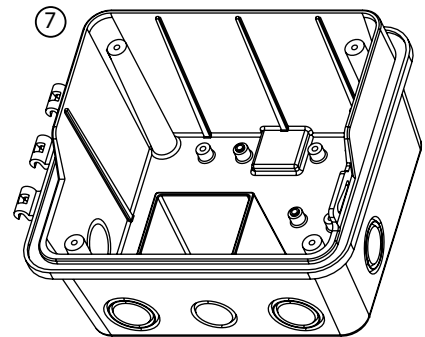
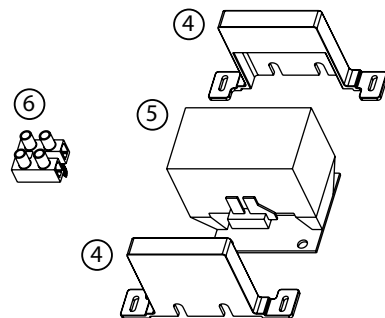
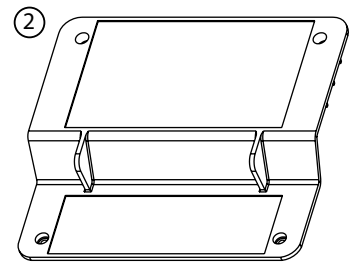
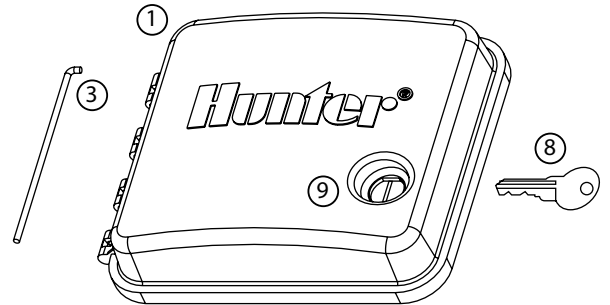
NODE Controllers

Item	Description	Catalog No.
①	Rubber Cover	297100
②	Mounting Clip	489500
③	O-Ring	252105
④	Universal Mounting Adapter	488800
⑤	DC Latching Solenoid	458200
⑥	Solar Panel Charging Unit for Node	517500
⑦	Solar Panel Replacement Assembly	517300



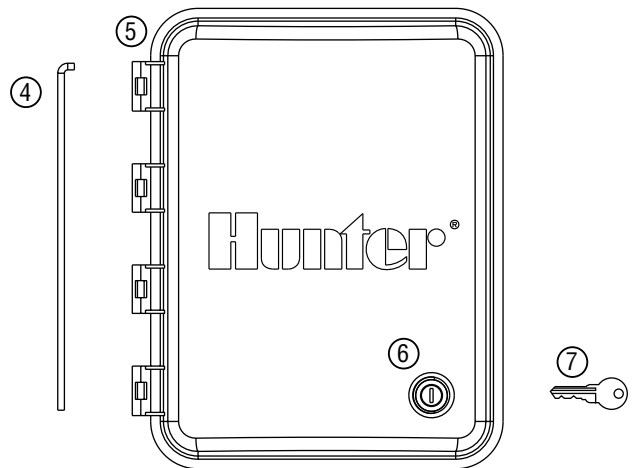
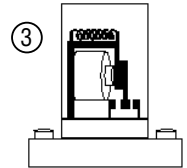
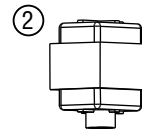
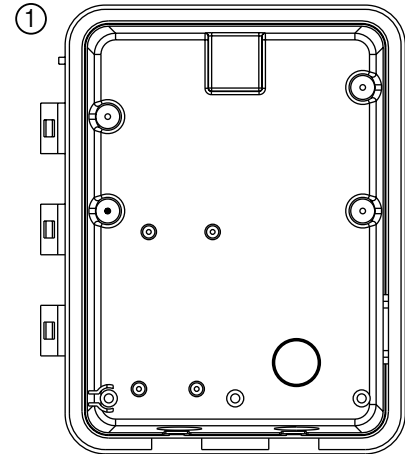
PSR-22, PSR-52, PSR-53: Pump Start Relays

Item	Description	Catalog No.	
①	Door without Lock	468800	
②	Cover Plate w/ Sticker	PSR-22	525900
		PSR-52	526000
		PSR-53	526100
③	Door Hinge Pin	469000	
④	Contact Support Brackets (PSR-22 Only)	501500	
⑤	Contactors	PSR-22	469201
		PSR-52	469105
		PSR-53	469110
⑥	Grounding Block	501600	
⑦	Cabinet	468700	
⑧	Key Set (2)	122516	
⑨	Lock & Key Set	387300	



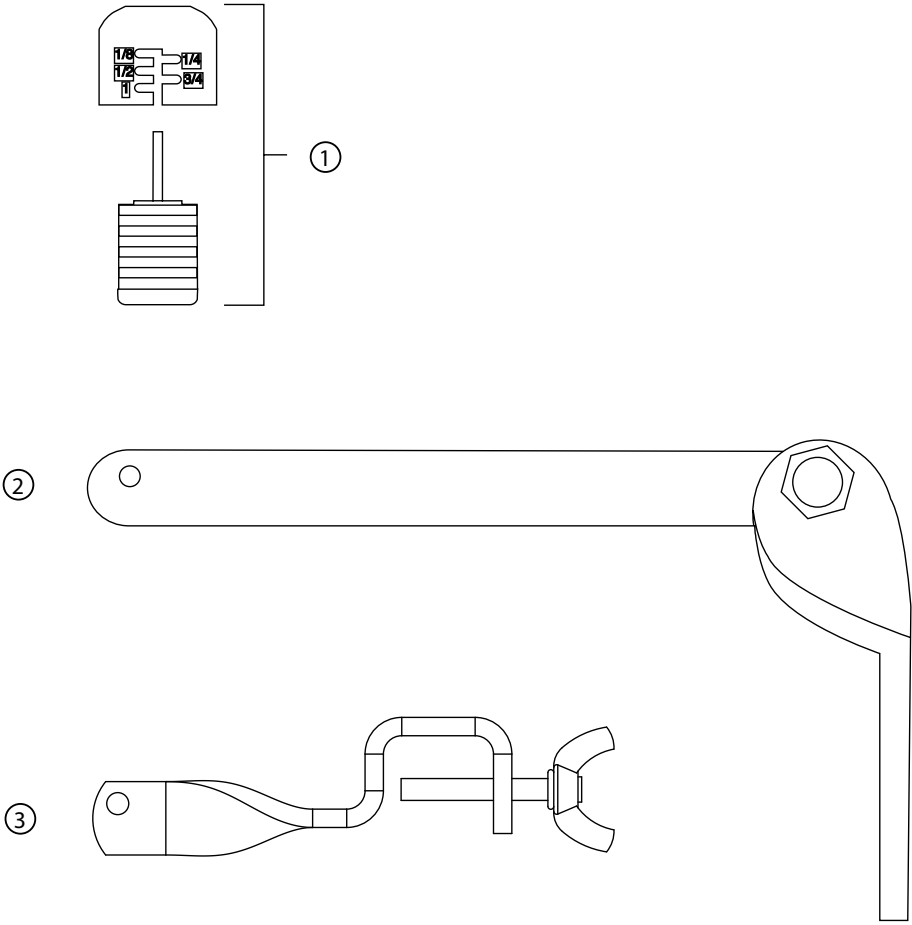
PSR-B: Pump Start Relay Booster

Item	Description	Catalog No.
①	Cabinet	527100
②	Transformer (Dual Voltage 110/220 24V 40VA)	154628
③	Heavy Duty DPDT Relay	REL2
④	Door Hinge Pin	429200
⑤	Front Door	428000
⑥	Lock and Key Set	387300
⑦	Key Set (2)	122516



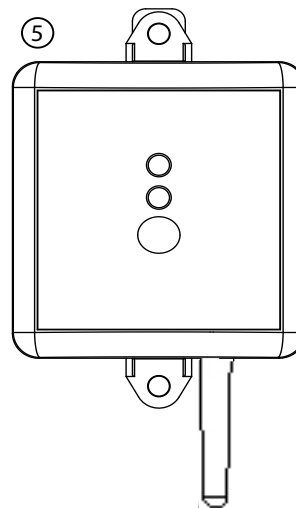
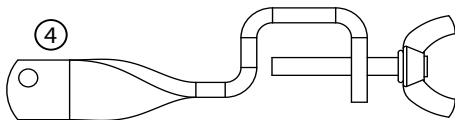
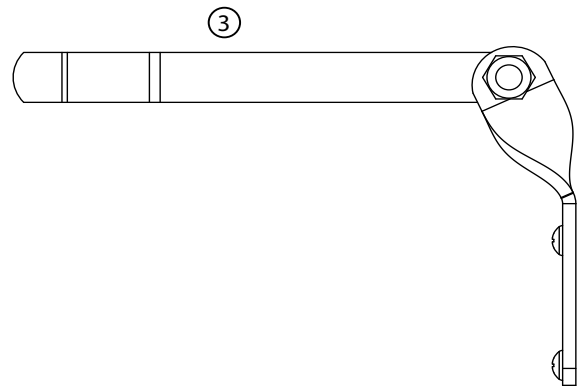
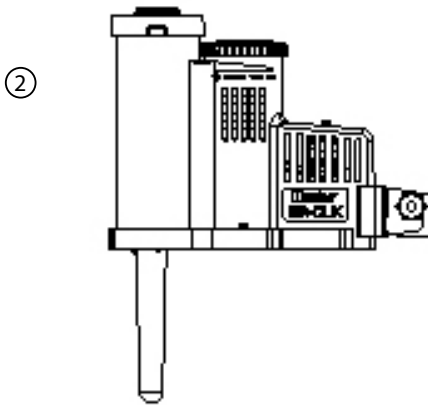
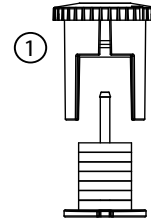
Mini-Clik® : Rain Sensor

Item	Description	Catalog No.
①	Cap and Spindle Assembly	440200
②	Bracket	439700
③	Sensor Gutter Mount	SGM



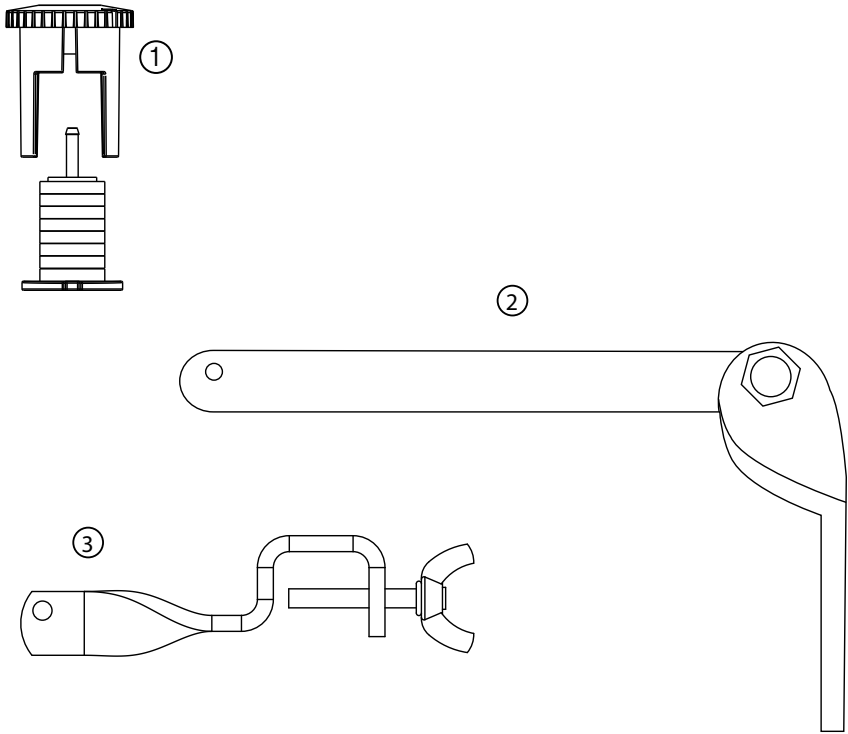
WRC & WRFC: Wireless Rain Sensors

Item	Description	Catalog No.
①	Cap and Spindle Assembly	505900
②	Transmitter Assembly (WRC)	WRCLIK-TR
	Transmitter Assembly (WRFC)	WRFLIK-TR
③	Mounting Bracket	439700
④	Sensor Gutter Mount	SGM
⑤	Receiver Assembly (WRC/ WRFC)	WRCLIK-R



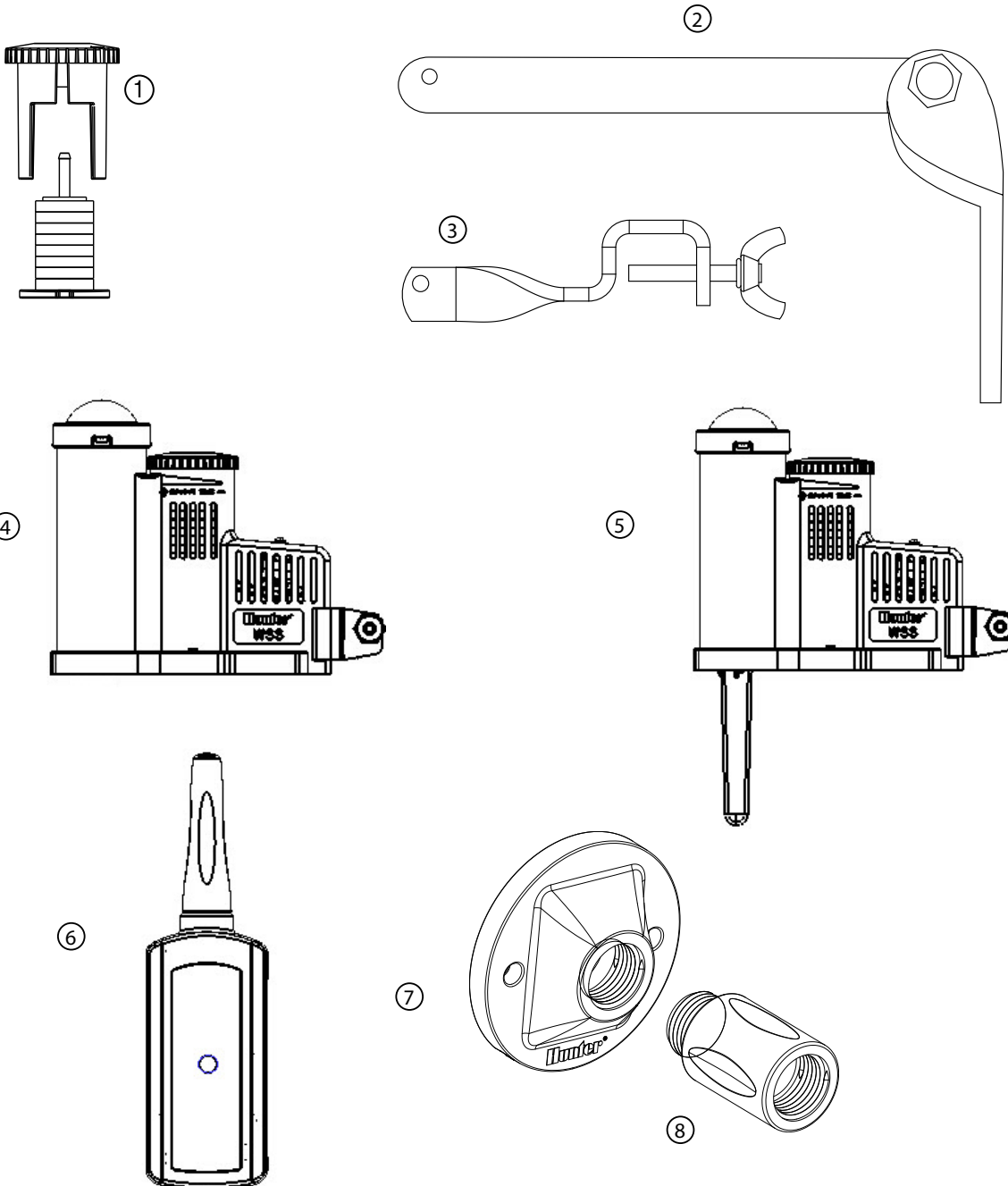
Rain-Clik®: Rain Sensor

Item	Description	Catalog No.
①	Cap and Spindle Assembly	505900
②	Bracket	439700
③	Sensor Gutter Mount	SGM



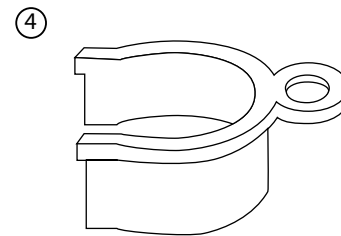
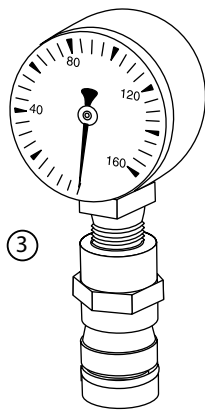
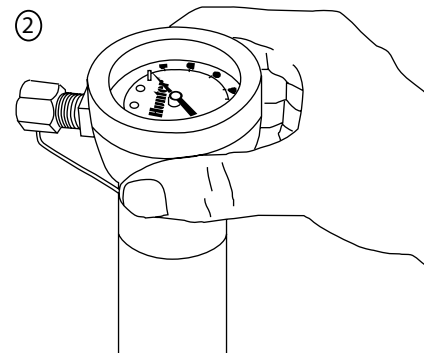
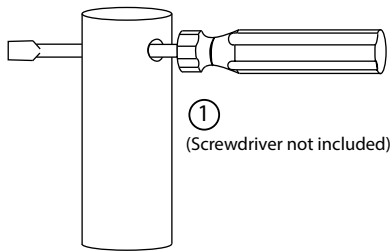
Solar Sync® and Wireless Solar Sync: ET Sensor

Item	Description	Catalog No.
①	Cap and Spindle Assembly	505900
②	Bracket	439700
③	Sensor Gutter Mount	SGM
④	Solar Sync Sensor (Wired)	SOLARSYNCSEN
⑤	Wireless Solar Sync Sensor	WSSTR
⑥	Wireless Solar Sync Receiver	WSSR
⑦	Wall Mount Bracket	258200
⑧	Wall Mount Bracket Extender	222600



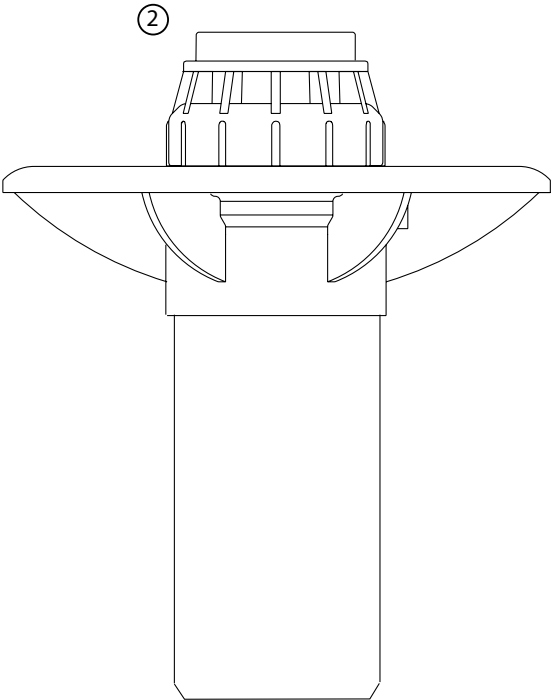
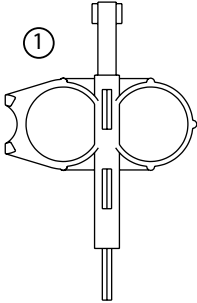
Accessories

Item	Description	Catalog No.
①	Turf Plug Cutter	150500
②	Rotor Pitot Gauge	280100
③	Rotor Pressure Gauge (PGP only)	129900
④	Nozzle Insertion Collar	123200
⑤	Hand Pump-Water Extraction	460302



Accessories

Item	Description	Catalog No.
①	Wrench	172000
②	Sub-Surface Stabilizer Flange (I-25/I-40)	222700



Notes

STATEMENT OF WARRANTY

Hunter Industries Incorporated (“Hunter”) warrants the following products to be free of defects in materials or workmanship under normal use for a period of two (2) years from the original date of manufacture: PGP-ADJ®, PGJ, MP Rotator® family, PS family, PS Ultra family, Spray Nozzles, PCN, PCB, AFB, HPV, PGV family, SRV, SRC, X-Core® family, Pro-C® family, ROAM, SVC, WVP, WVS, PLD, PACZ, PCZ, AVB, PSR, HCV, SJ, HFT family, SBE family, RZWS, NODE and ET System. Hunter warrants the following products to be free of defects in materials or workmanship under normal use for a period of three (3) years from the original date of manufacture: ROAM XL, and PGP Ultra family. Hunter warrants the following products to be free of defects in materials or workmanship under normal use for a period of one (1) year from the original date of manufacture: SRM family, Micro Sprays and Stream Drippers. Hunter warrants the following products to be free of defects in materials or workmanship under normal use for a period of five (5) years from the original date of manufacture: I-20, I-25, I-35, I-40, I-60 and I-90 families, Pro-Spray® family, Pro-Spray® PRS30 family, and Pro-Spray® PRS40 family, G-Spray, ICC, I-Core® family and ACC controller families, ICD Decoder Products, Remotes, IMMS® Central Control Products, “Clik” Sensors, SolarSync®, HQ, ICV plastic, and IBV brass valves, ICZ and PLD tubing. If a defect in a Hunter product is discovered during the applicable warranty period, Hunter will repair or replace, at its option, the product or the defective part. This warranty does not extend to repairs, adjustments, or replacement of a Hunter product or part that results from misuse, negligence, alteration, modification, tampering, or improper installation and/or maintenance of the product. This warranty extends only to the original installer of the Hunter product. If a defect arises in a Hunter product or part during the warranty period, you should contact your local Hunter Authorized Distributor.

HUNTER’S OBLIGATION TO REPAIR OR REPLACE ITS PRODUCTS AS SET FORTH ABOVE IS THE SOLE AND EXCLUSIVE WARRANTY SET FORTH BY HUNTER. THERE ARE NO OTHER WARRANTIES, EXPRESSED OR IMPLIED, INCLUDING WARRANTIES OF MERCHANTABILITY AND FITNESS FOR A PARTICULAR PURPOSE. HUNTER WILL NOT BE LIABLE TO ANY PARTY IN STRICT LIABILITY, TORT, CONTRACT, OR ANY OTHER MANNER FOR DAMAGES CAUSED OR CLAIMED TO BE CAUSED AS A RESULT OF ANY DESIGN OR DEFECT IN HUNTER’S PRODUCTS, OR FOR ANY SPECIAL, INCIDENTAL OR CONSEQUENTIAL DAMAGES OF ANY NATURE.

If you have any questions concerning the warranty or its application, please write to:
Marketing Department, Hunter Industries Incorporated,
1940 Diamond Street, San Marcos, CA 92078, U.S.A.

ASAE CERTIFICATION STATEMENT

Hunter Industries Incorporated certifies that pressure, flow rate, and radius data for these products were determined and listed in accordance with ASAE Standard S398.1, Procedure for Sprinkler Testing and Performance Reporting, and are representative of performance of production sprinklers at the time of publication. Actual product performance may differ from the published specifications due to normal manufacturing variations and sample selection. All other specifications are solely the recommendation of Hunter Industries Incorporated.



Helping our customers succeed is what drives us. While our passion for innovation and engineering is built into everything we do, it is our commitment to exceptional support that we hope will keep you in the Hunter family of customers for years to come.

A white, handwritten signature of Gregory R. Hunter is centered on the page.

Gregory R. Hunter, President of Hunter Industries

Website hunterindustries.com | **Customer Support** 760-744-5240 | **Technical Service** 760-591-7383

Hunter Spare Parts Price List:

All items are in effect at the time indicated on the cover of this document but are subject to change relative to availability and price without notice.

This brochure was printed on Forest Stewardship Council® (FSC) certified paper with soy inks. The FSC is an international organization established to promote the responsible management of the world's forests.

© 2015 Hunter Industries Incorporated  Please recycle.

21-1494 L 12/14



Printed using
100% Wind
Energy, (RECs)

